

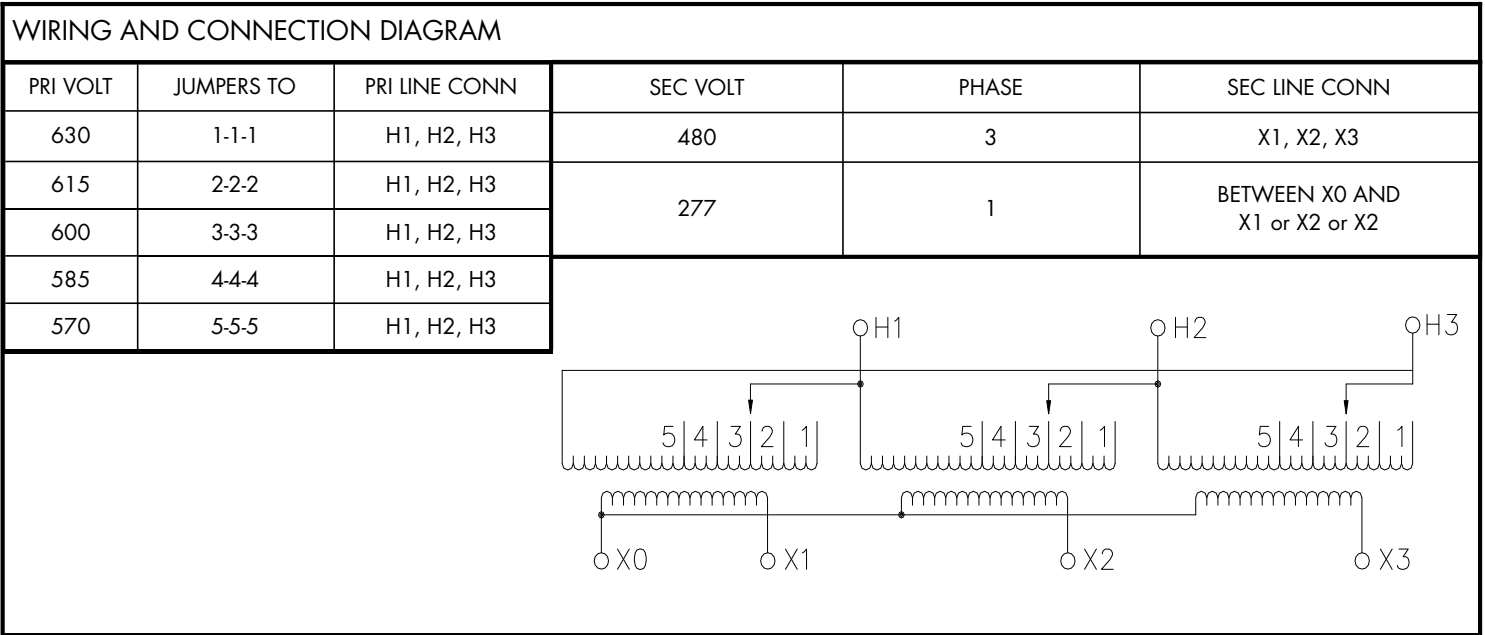
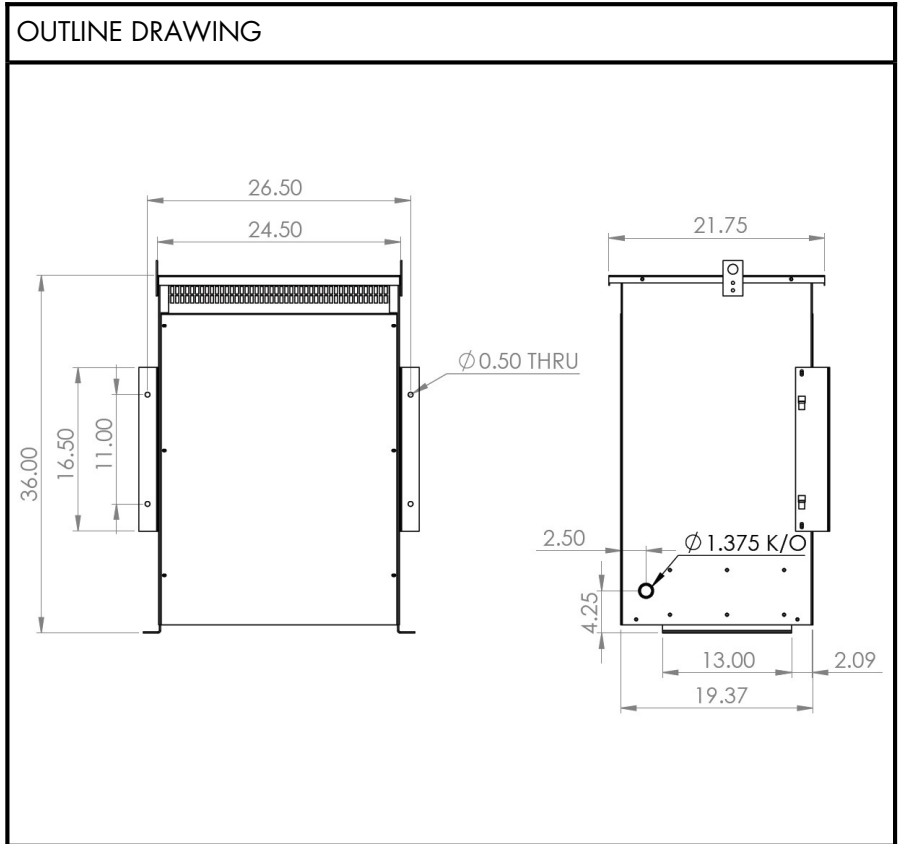


**BEAVER ELECTRICAL MACHINERY**  
 7440 LOWLAND DRIVE, BURNABY, BC, CANADA  
 TEL: (604) 431-5000 FAX: (604) 431-5066  
 www.beavelectrical.com

**TVR SERIES  
 SPECIFICATION SHEET**

**3 PHASE TRANSFORMER  
 TYPE: DRY TYPE  
 FLOOR OR WALL MOUNT**

CAT. NO.: TVR75T-S34A3  
 KVA: 75  
 PRIMARY VOLT: 600 ▲  
 SECONDARY VOLT: 480Y/277  
 PHASE: 3  
 FREQ: 60 HZ  
 WINDING MATL: Al  
 WEIGHT: 520 LBS  
 INSUL. CLASS: 220°C  
 TEMP. RISE: 150°C  
 IMPEDANCE: 4.0-5.0%  
 TAPS: SEE BELOW  
 BIL: 10 kV  
 ENCLOSURE: NEMA 1  
 NEMA 3R with optional kit  
 EFF. STANDARDS: NRCAN 2019, DOE 2016  
 APPROVALS: UL, CSA



NOTE: Specifications and dimensions subject to change without notice