



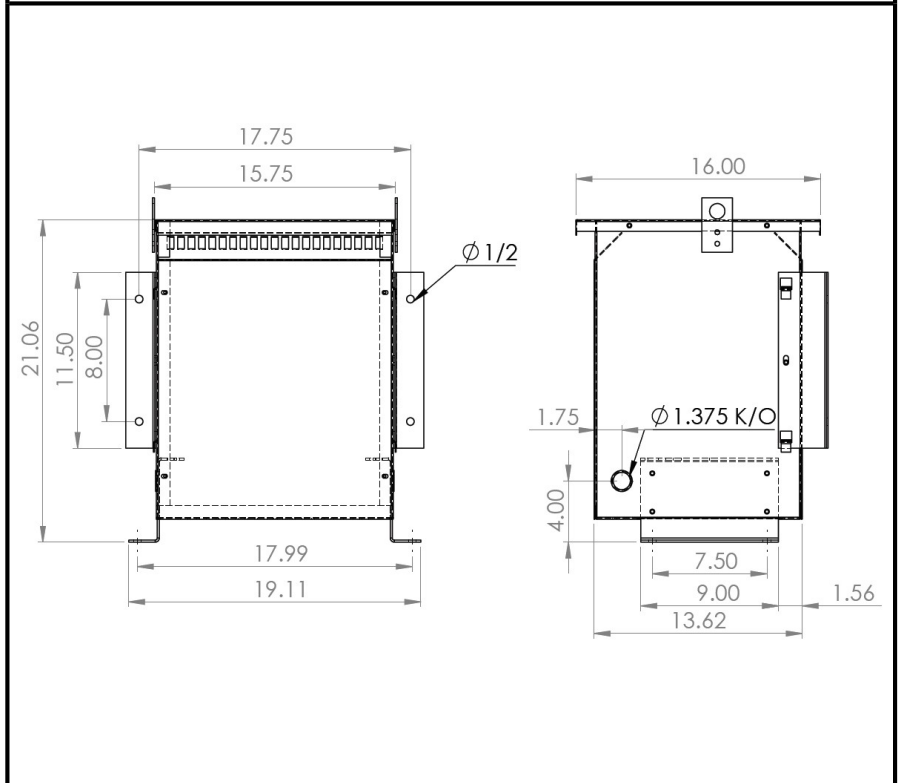
BEAVER ELECTRICAL MACHINERY
 7440 LOWLAND DRIVE, BURNABY, BC, CANADA
 TEL: (604) 431-5000 FAX: (604) 431-5066
 www.beaverelectrical.com

**TVR SERIES
 SPECIFICATION SHEET**

**3 PHASE TRANSFORMER
 TYPE: DRY TYPE
 FLOOR OR WALL MOUNT**

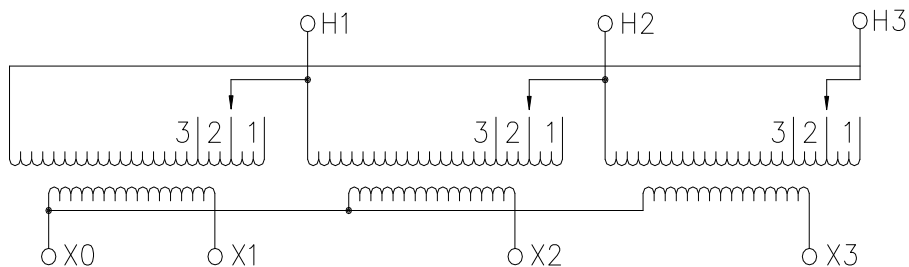
CAT. NO.: TVR6S-K34C
 KVA: 6
 PRIMARY VOLT: 480▲
 SECONDARY VOLT: 240Y/139
 PHASE: 3
 FREQ: 60 HZ
 WINDING MATL: Copper
 WEIGHT: 130 LBS
 INSUL. CLASS: 220°C
 TEMP. RISE: 115°C
 IMPEDANCE: 7.5%
 TAPS: SEE BELOW
 BIL: 10 kV
 ENCLOSURE: NEMA 1
 NEMA 3R with optional kit
 APPROVALS: UL, CSA

OUTLINE DRAWING



WIRING AND CONNECTION DIAGRAM

PRI VOLT	JUMPER TO	PRI LINE CONN	SEC VOLT	PHASE	SEC LINE CONN
504	1-1-1	H1, H2, H3	240	3	X1, X2, X3
480	2-2-2	H1, H2, H3	139	1	BETWEEN X0 AND X1 or X2 or X2
456	3-3-3	H1, H2, H3			



NOTE: Specifications and dimensions subject to change without notice