



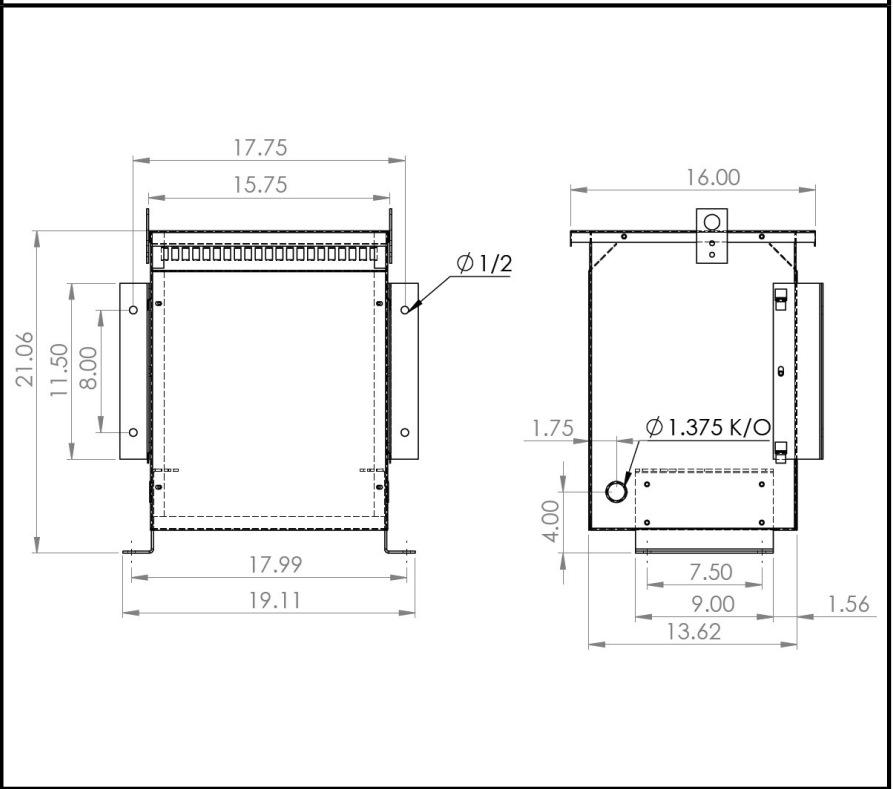
BEAVER ELECTRICAL MACHINERY
 7440 LOWLAND DRIVE, BURNABY, BC, CANADA
 TEL: (604) 431-5000 FAX: (604) 431-5066
 www.beaverelectrical.com

**TVR SERIES
 SPECIFICATION SHEET**

**3 PHASE TRANSFORMER
 TYPE: DRY TYPE
 FLOOR OR WALL MOUNT**

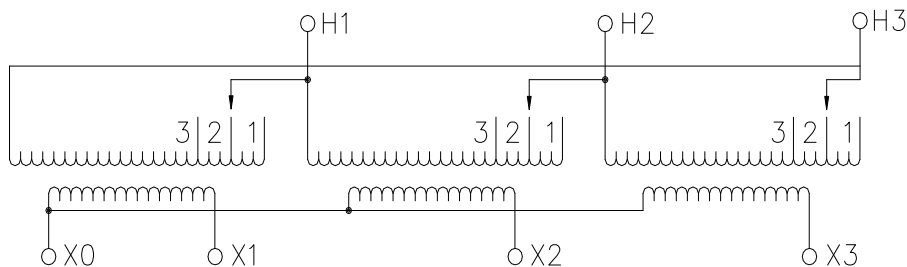
CAT. NO.: TVR6H-T34C
 KVA: 6
 PRIMARY VOLT: 208 ▲
 SECONDARY VOLT: 600Y/346
 PHASE: 3
 FREQ: 60 HZ
 WINDING MATL: Copper
 WEIGHT: 130 LBS
 INSUL. CLASS: 220°C
 TEMP. RISE: 115°C
 IMPEDANCE: 5.0 - 6.0%
 TAPS: FULL CURRENT
 BIL: 10 kV
 ENCLOSURE: TYPE 2
 TYPE 3R with optional kit
 APPROVALS: UL, CSA

OUTLINE DRAWING



WIRING AND CONNECTION DIAGRAM

| PRI VOLT | JUMPER TO | PRI LINE CONN | SEC VOLT | PHASE | SEC LINE CONN |
|----------|-----------|---------------|----------|-------|-------------------------------|
| 218 | 1-1-1 | H1, H2, H3 | 600 | 3 | X1, X2, X3 |
| 208 | 2-2-2 | H1, H2, H3 | 346 | 1 | BETWEEN X0 AND X1 or X2 or X3 |
| 198 | 3-3-3 | H1, H2, H3 | | | |



NOTE: Preliminary drawing only. Design subject to change by Beaver's Engineering Dept.