

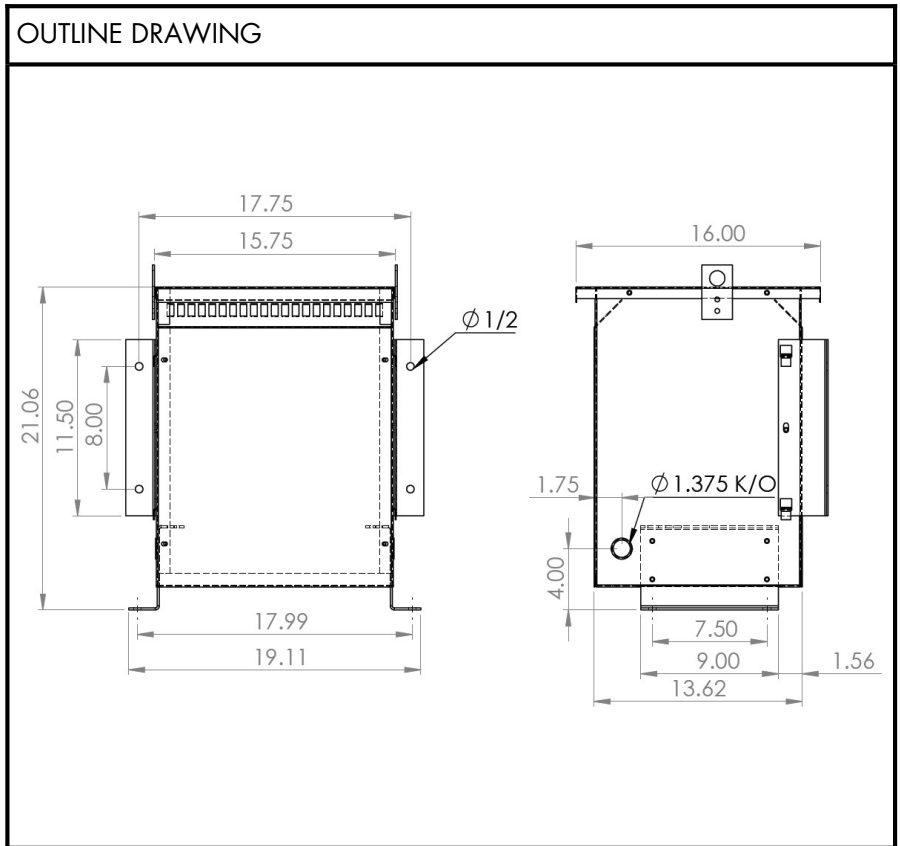


**BEAVER ELECTRICAL MACHINERY**  
 7440 LOWLAND DRIVE, BURNABY, BC, CANADA  
 TEL: (604) 431-5000 FAX: (604) 431-5066  
 www.beaverelectrical.com

**TVR SERIES  
 SPECIFICATION SHEET**

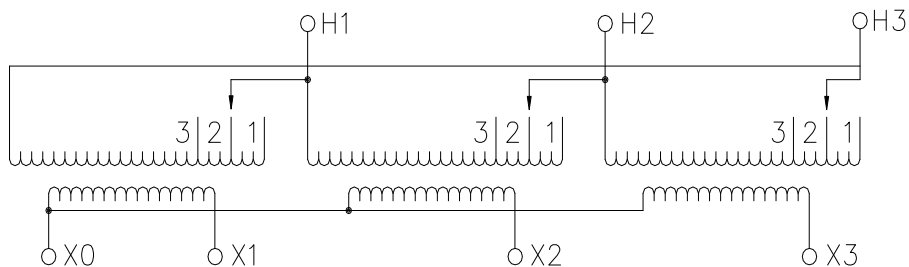
**3 PHASE TRANSFORMER  
 TYPE: DRY TYPE  
 FLOOR OR WALL MOUNT**

CAT. NO.: TVR6H-Q34C  
 KVA: 6  
 PRIMARY VOLT: 208 ▲  
 SECONDARY VOLT: 400Y/231  
 PHASE: 3  
 FREQ: 60 HZ  
 WINDING MATL: Copper  
 WEIGHT: 130 LBS  
 INSUL. CLASS: 220°C  
 TEMP. RISE: 115°C  
 IMPEDANCE: 7.5%  
 TAPS: SEE BELOW  
 BIL: 10 kV  
 ENCLOSURE: NEMA 1  
 NEMA 3R with optional kit  
 APPROVALS: UL, CSA



**WIRING AND CONNECTION DIAGRAM**

PRI VOLT	JUMPER TO	PRI LINE CONN	SEC VOLT	PHASE	SEC LINE CONN
218	1-1-1	H1, H2, H3	400	3	X1, X2, X3
208	2-2-2	H1, H2, H3	231	1	BETWEEN X0 AND X1 or X2 or X2
298	3-3-3	H1, H2, H3			



NOTE: Specifications and dimensions subject to change without notice