

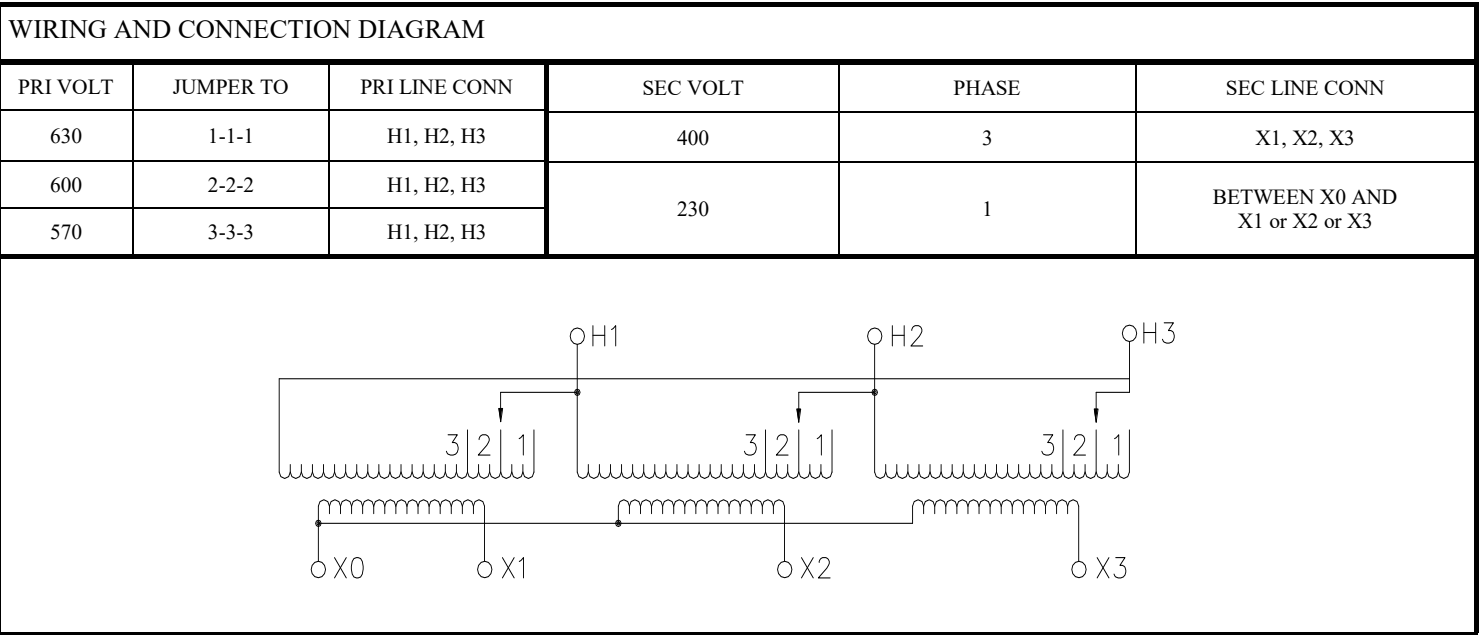
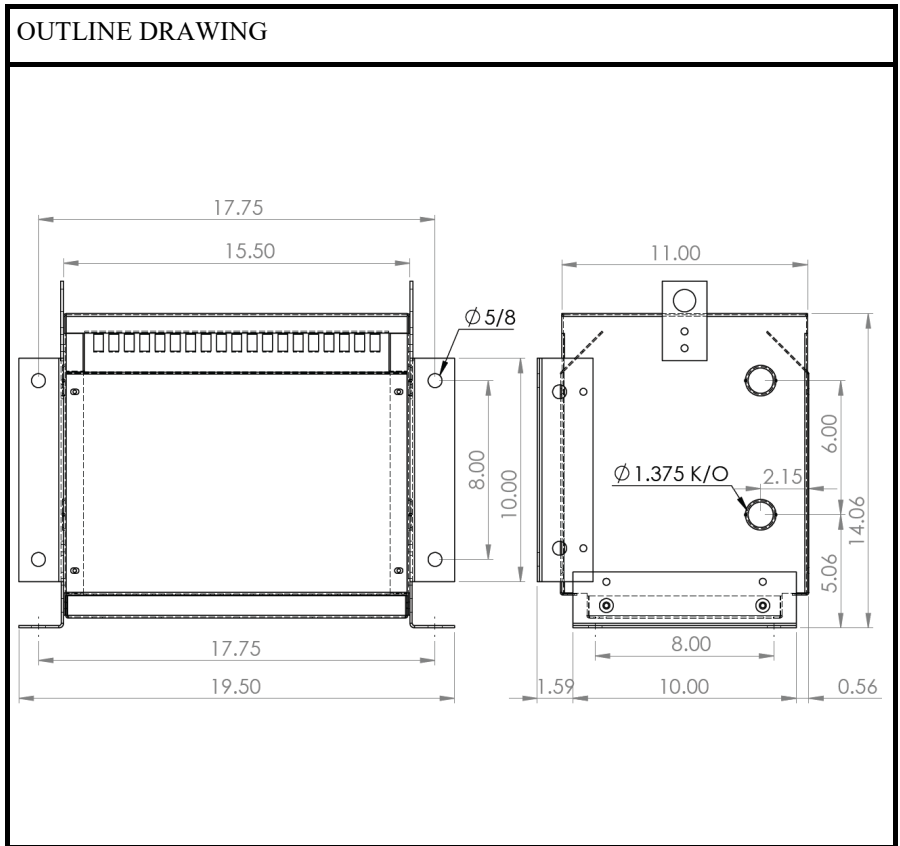


**BEAVER ELECTRICAL MACHINERY**  
 7440 LOWLAND DRIVE, BURNABY, BC, CANADA  
 TEL: (604) 431-5000 FAX: (604) 431-5066  
 www.beaverelectrical.com

**TVR SERIES  
 SPECIFICATION SHEET**

**3 PHASE TRANSFORMER  
 TYPE: DRY TYPE  
 FLOOR OR WALL MOUNT**

CAT. NO.: TVR3T-Q34C  
 KVA: 3  
 PRIMARY VOLT: 600▲  
 SECONDARY VOLT: 230/400  
 PHASE: 3  
 FREQ: 60 HZ  
 WINDING MATL: Copper  
 WEIGHT: 85 LBS  
 INSUL. CLASS: 220°C  
 TEMP. RISE: 115°C  
 IMPEDANCE: 5.0 - 6.0%  
 TAPS: SEE BELOW  
 BIL: 10 kV  
 ENCLOSURE: TYPE 2  
 APPROVALS: UL, CSA



NOTE: Preliminary drawing only. Design subject to change by Beaver's Engineering Dept.