



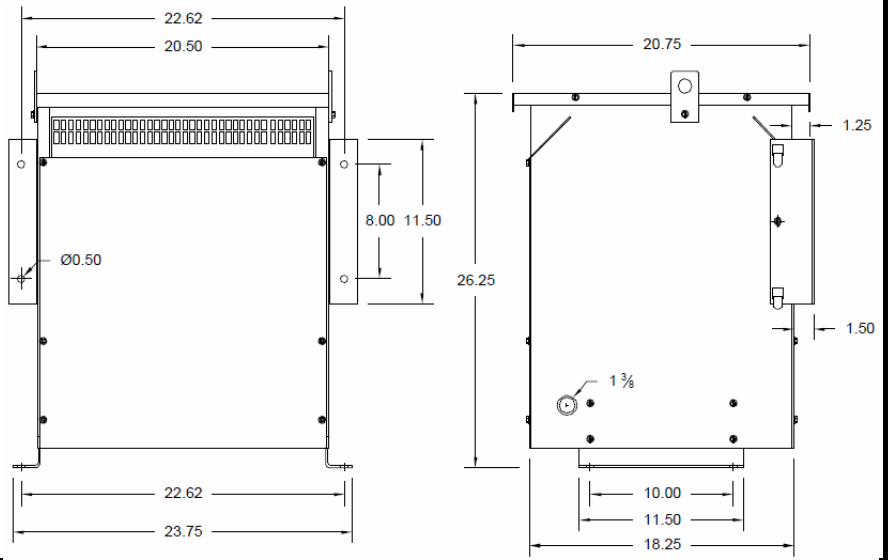
BEAVER ELECTRICAL MACHINERY
 7440 LOWLAND DRIVE, BURNABY, BC, CANADA
 TEL: (604) 431-5000 FAX: (604) 431-5066
 www.beaverelectrical.com

**TVR SERIES
 APPROVAL DRAWING**

**3 PHASE TRANSFORMER
 TYPE: DRY TYPE
 FLOOR OR WALL MOUNT**

CAT. NO.: TVR30Q-H34A/50/CE
 KVA: 30
 PRIMARY VOLT: 400 ▲
 SECONDARY VOLT: 208Y/120
 PHASE: 3
 FREQ: 50/60 HZ
 WDG. MAT'L: Aluminum
 WEIGHT: 350 LBS
 INSUL. CLASS: 220°C
 TEMP. RISE: 150°C
 IMPEDANCE: ~6.0%
 TAPS: FULL CURRENT
 BIL: 10 kV
 ENCLOSURE: TYPE 2
 TYPE 3R with optional kit
 APPROVALS: UL, CSA,
 CE (IEC EN 60 742)

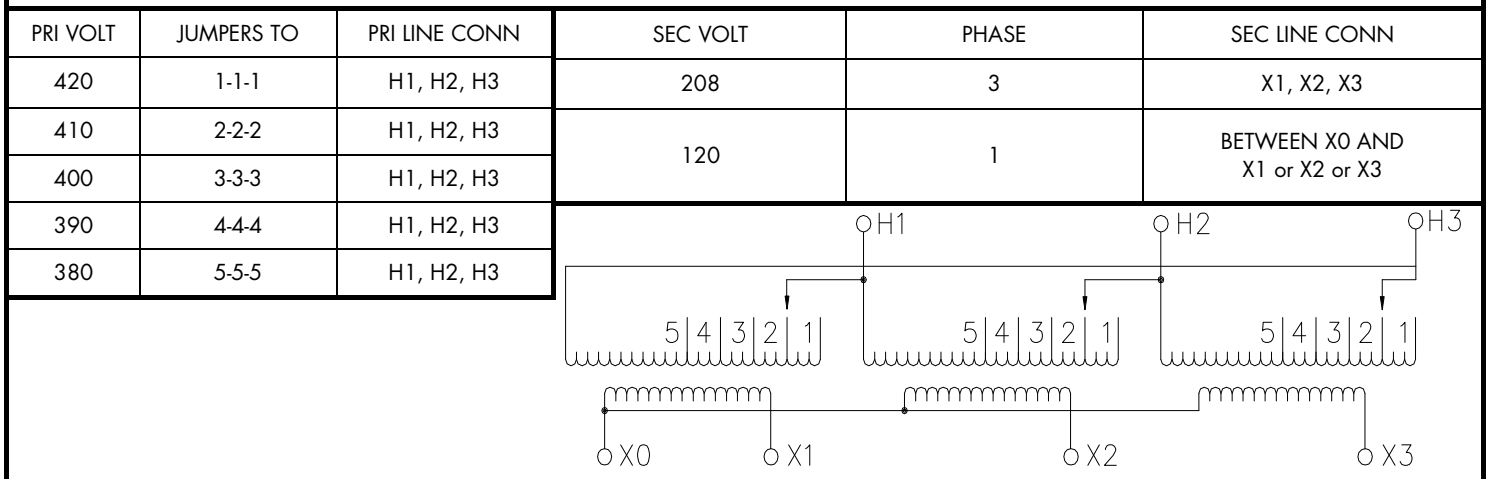
OUTLINE DRAWING



DRAWING ISSUED FOR APPROVAL BY CUSTOMER

Approved as-is
 Approved with noted changes
 Not approved
 by _____ (initial here)

WIRING AND CONNECTION DIAGRAM



Signed drawing must be returned to Beaver's engineering department before order will be processed.