

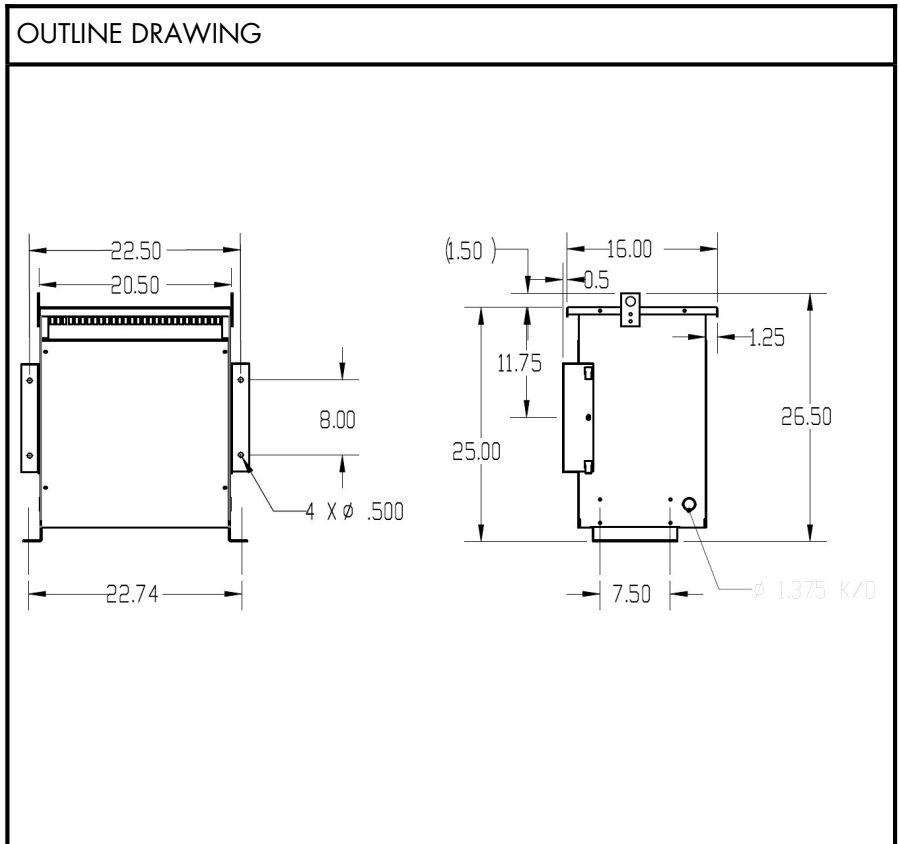


BEAVER ELECTRICAL MACHINERY
 7440 LOWLAND DRIVE, BURNABY, BC, CANADA
 TEL: (604) 431-5000 FAX: (604) 431-5066
 www.beaverelectrical.com

**TVR SERIES
 SPECIFICATION SHEET**

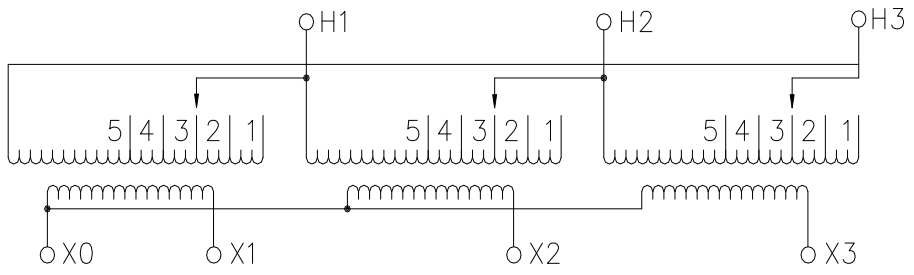
**3 PHASE TRANSFORMER
 TYPE: DRY TYPE
 FLOOR OR WALL MOUNT**

CAT. NO.: TVR15T-S34A3
 KVA: 15
 PRIMARY VOLT: 600 ▲
 SECONDARY VOLT: 480Y/277
 PHASE: 3
 FREQ: 60 HZ
 WINDING MATL: Al
 WEIGHT: 230 LBS
 INSUL. CLASS: 220°C
 TEMP. RISE: 150°C
 IMPEDANCE: 5-6%
 TAPS: SEE BELOW
 BIL: 10 kV
 ENCLOSURE: TYPE 2
 NEMA 3R with optional kit
 EFF. STANDARDS: NRCAN 2019, DOE 2016
 APPROVALS: UL, CSA



WIRING AND CONNECTION DIAGRAM

PRI VOLT	JUMPERS TO	PRI LINE CONN	SEC VOLT	PHASE	SEC LINE CONN
630	1-1-1	H1, H2, H3	480	3	X1, X2, X3
615	2-2-2	H1, H2, H3	277	1	BETWEEN X0 AND X1 or X2 or X3
600	3-3-3	H1, H2, H3			
585	4-4-4	H1, H2, H3			
570	5-5-5	H1, H2, H3			



NOTE: Specifications and dimensions subject to change without notice