

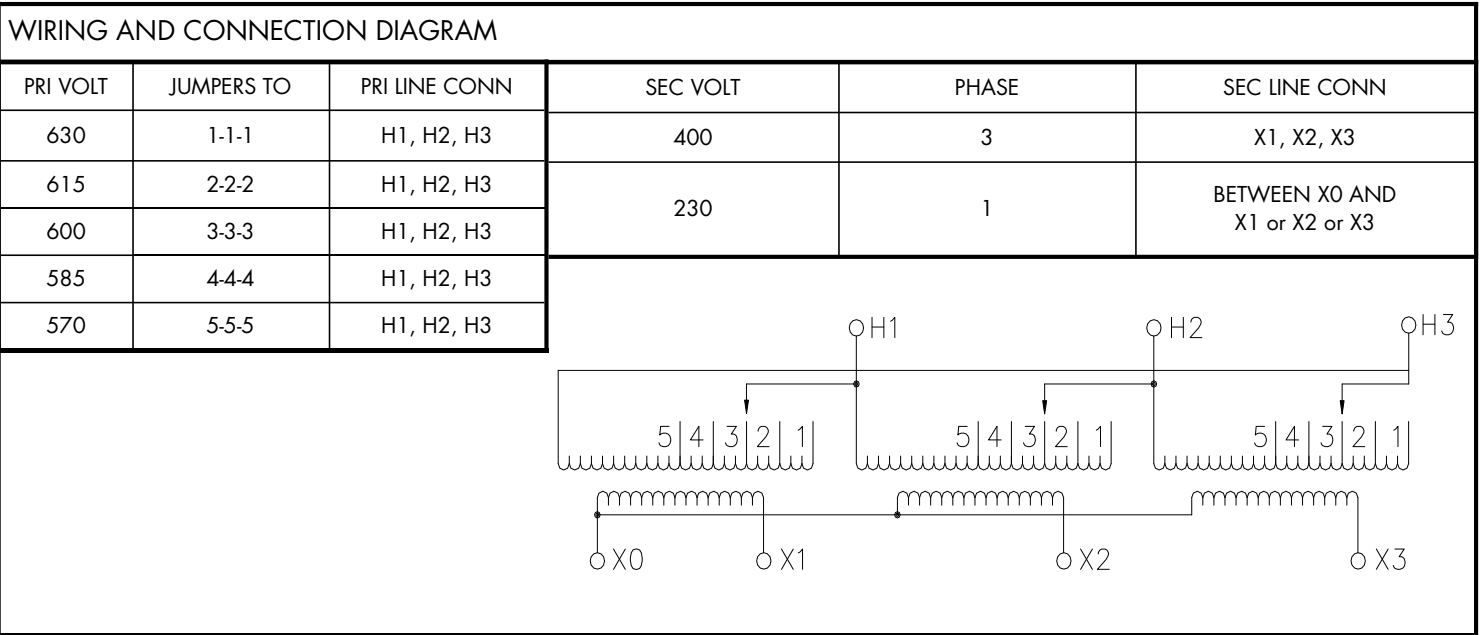
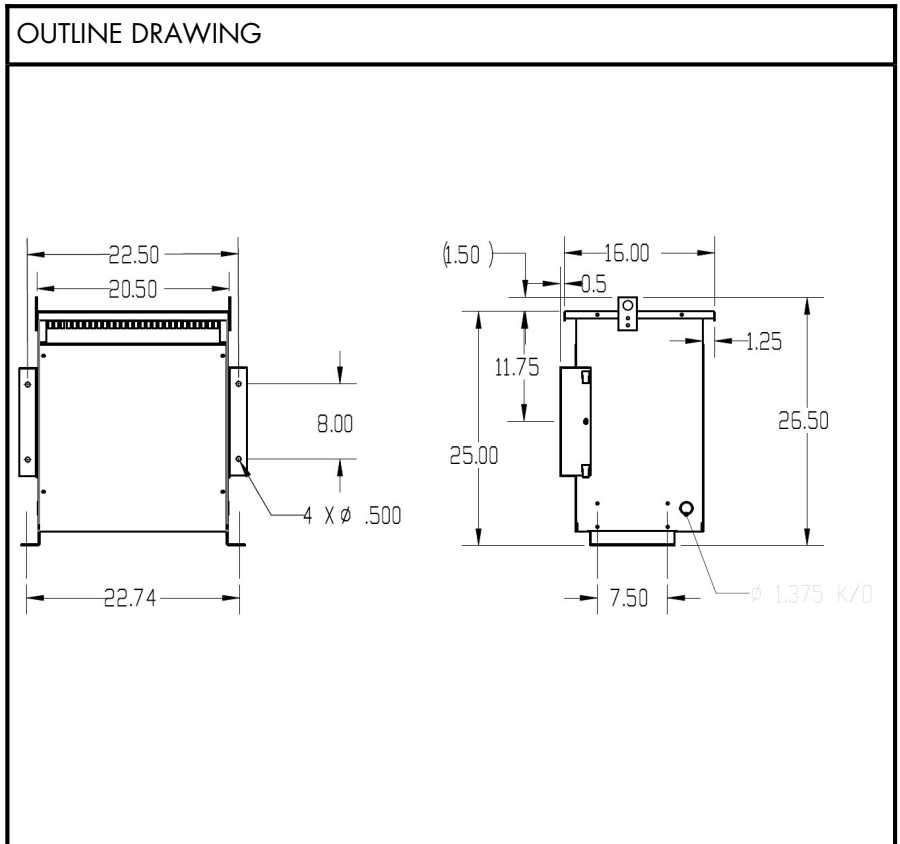


BEAVER ELECTRICAL MACHINERY
 7440 LOWLAND DRIVE, BURNABY, BC, CANADA
 TEL: (604) 431-5000 FAX: (604) 431-5066
 www.beaverelectrical.com

**TVR SERIES
 SPECIFICATION SHEET**

**3 PHASE TRANSFORMER
 TYPE: DRY TYPE
 FLOOR OR WALL MOUNT**

CAT. NO.: TVR15T-Q34A3
 KVA: 15
 PRIMARY VOLT: 600 ▲
 SECONDARY VOLT: 400Y/230
 PHASE: 3
 FREQ: 60 HZ
 WINDING MATL: Al
 WEIGHT: 230 LBS
 INSUL. CLASS: 220°C
 TEMP. RISE: 150°C
 IMPEDANCE: 5-6%
 TAPS: SEE BELOW
 BIL: 10 kV
 ENCLOSURE: TYPE 2
 NEMA 3R with optional kit
 EFF. STANDARDS: NRCAN 2019, DOE 2016
 APPROVALS: UL, CSA



NOTE: Specifications and dimensions subject to change without notice