

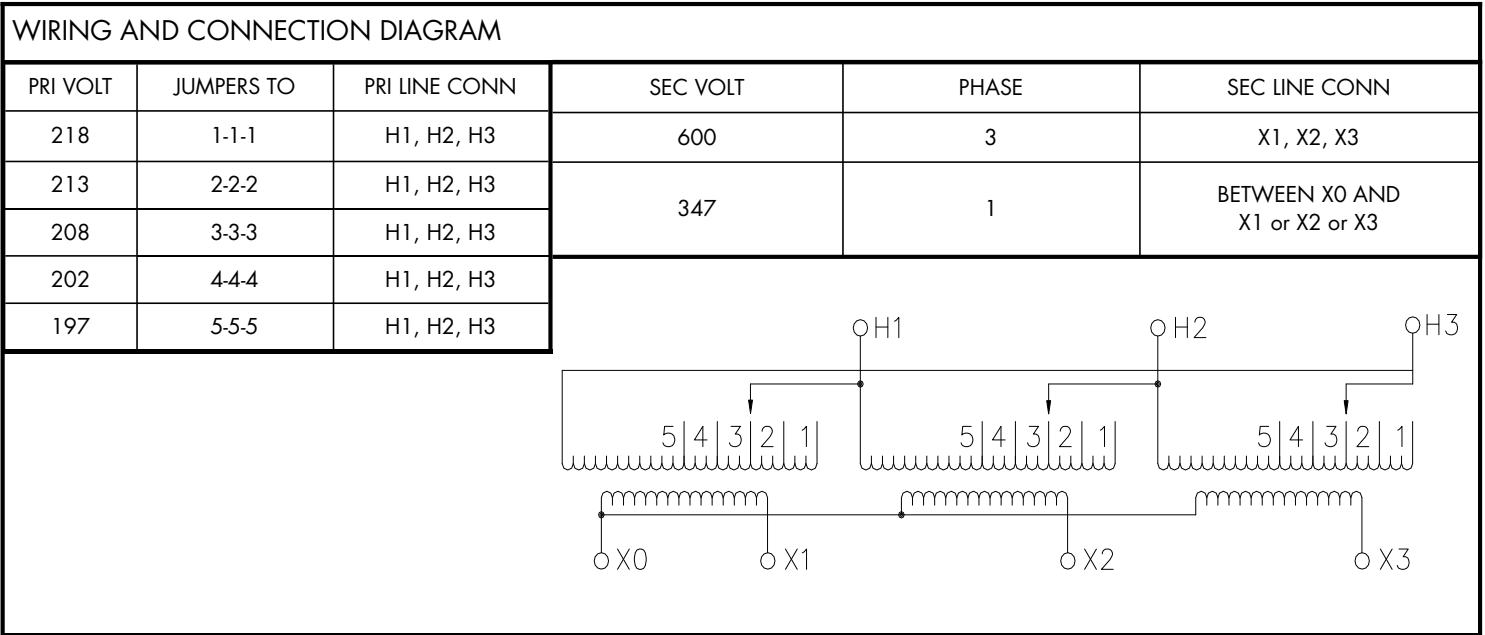
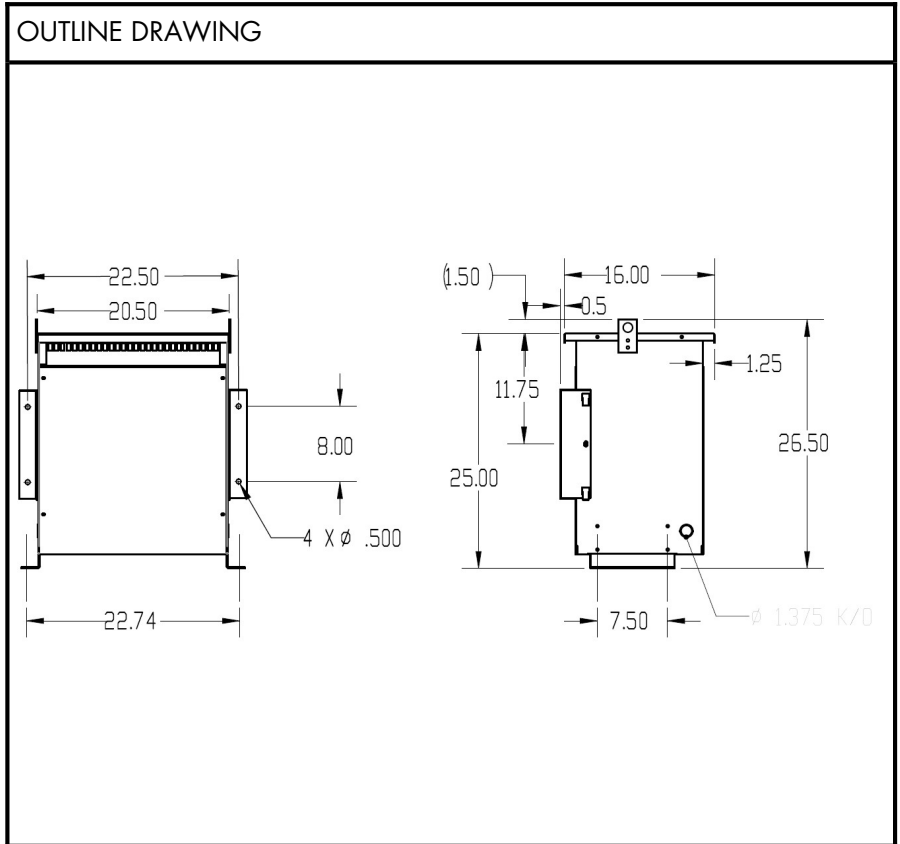


BEAVER ELECTRICAL MACHINERY
 7440 LOWLAND DRIVE, BURNABY, BC, CANADA
 TEL: (604) 431-5000 FAX: (604) 431-5066
 www.beverelectrical.com

**TVR SERIES
 SPECIFICATION SHEET**

**3 PHASE TRANSFORMER
 TYPE: DRY TYPE
 FLOOR OR WALL MOUNT**

CAT. NO.: TVR15H-T34A3
 KVA: 15
 Primary Volt: 208 ▲
 Secondary Volt: 600Y/347
 Phase: 3
 Frequency: 60 HZ
 Winding Matl.: Aluminum
 Weight: 230 LBS
 Insulation Class: 220°C
 Temperature Rise: 150°C
 Impedance: 5.0-6.0%
 Eff. @ 35% load: 97.5%
 BIL: 10 kV
 Enclosure: TYPE 2
 NEMA 3R with optional kit
 EFF. STANDARDS: NRCAN 2019, DOE 2016
 Approvals: UL, CSA



NOTE: Specifications and dimensions subject to change without notice