

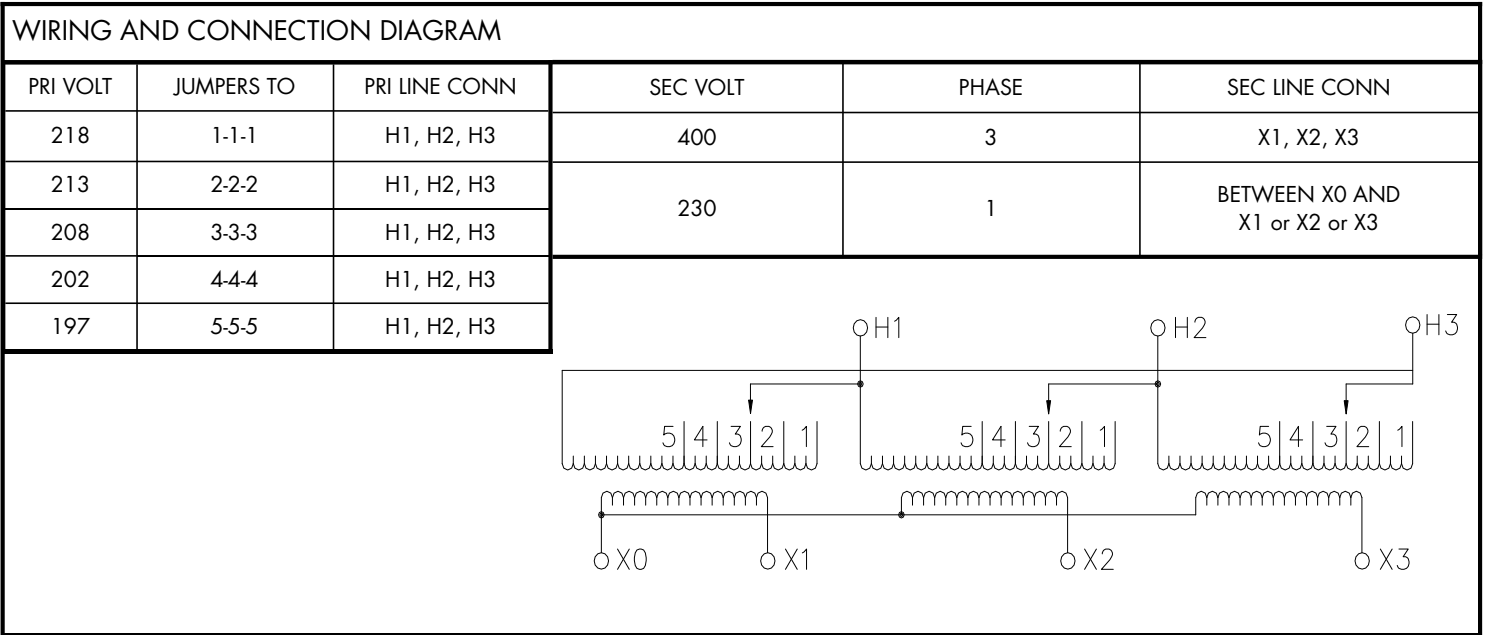
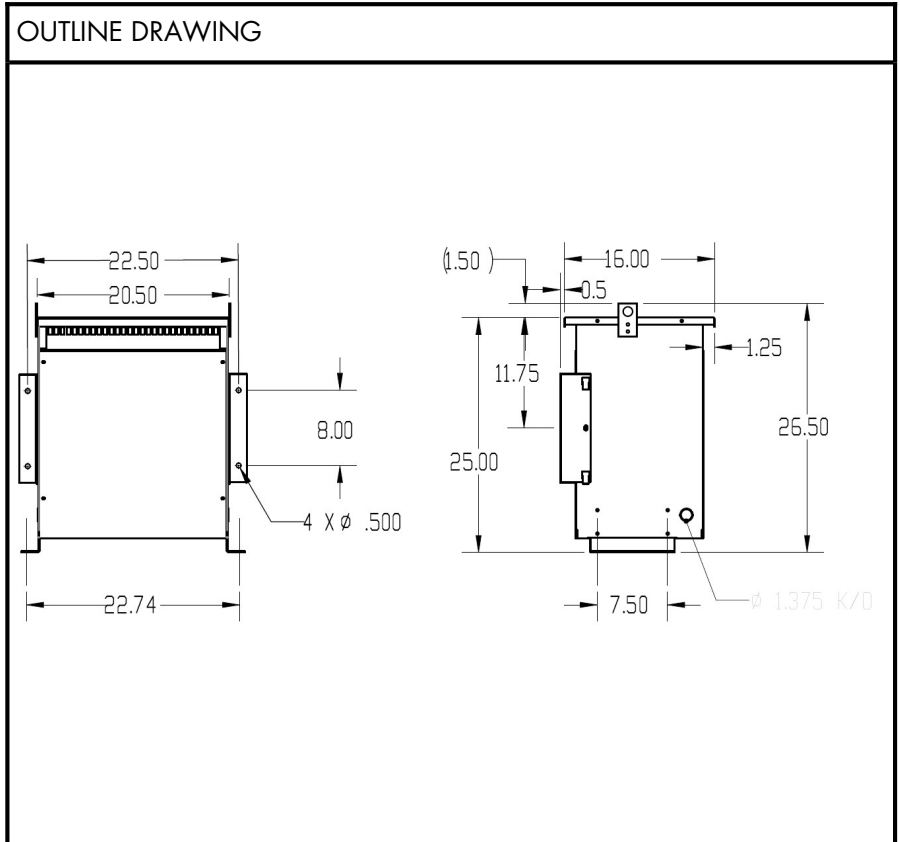


**BEAVER ELECTRICAL MACHINERY**  
 7440 LOWLAND DRIVE, BURNABY, BC, CANADA  
 TEL: (604) 431-5000 FAX: (604) 431-5066  
 www.beaverelectrical.com

**TVR SERIES  
 SPECIFICATION SHEET**

**3 PHASE TRANSFORMER  
 TYPE: DRY TYPE  
 FLOOR OR WALL MOUNT**

CAT. NO.: TVR15H-Q34A3  
 KVA: 15  
 Primary Volt: 208 ▲  
 Secondary Volt: 400Y/230  
 Phase: 3  
 Frequency: 60 HZ  
 Winding Matl.: Aluminum  
 Weight: 230 LBS  
 Insulation Class: 220°C  
 Temperature Rise: 150°C  
 Impedance: 5.0-6.0%  
 Eff. @ 35% load: 97.5%  
 BIL: 10 kV  
 Enclosure: TYPE 2  
 NEMA 3R with optional kit  
 EFF. STANDARDS: NRCAN 2019, DOE 2016  
 Approvals: UL, CSA



NOTE: Specifications and dimensions subject to change without notice