

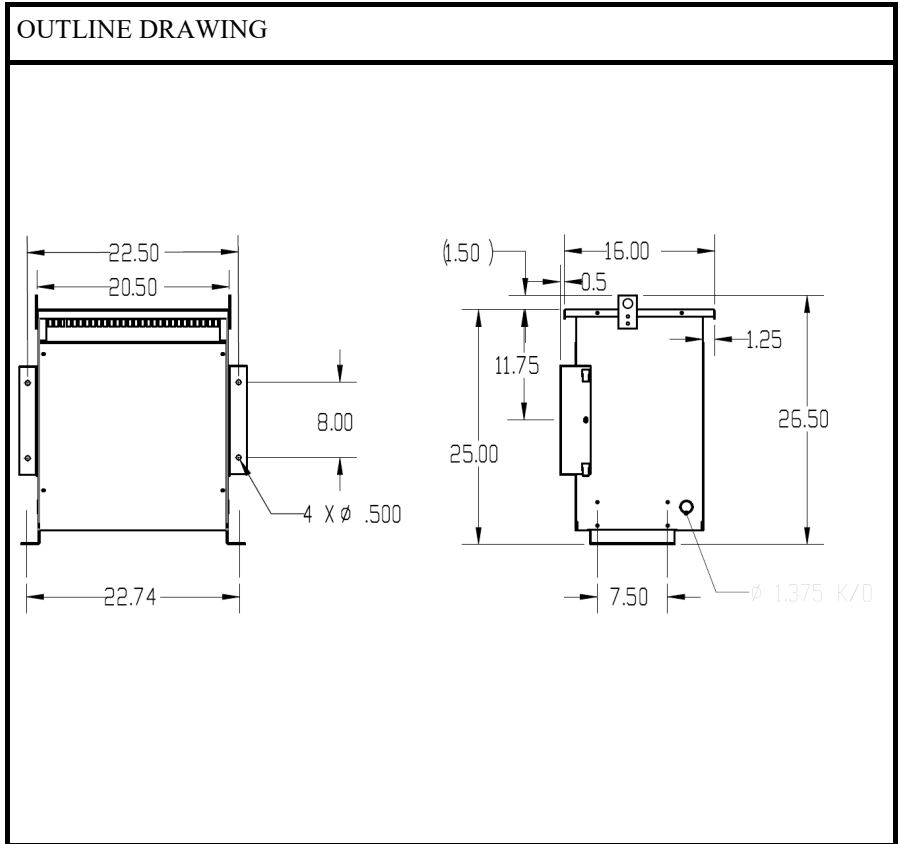


**BEAVER ELECTRICAL MACHINERY**  
 7440 LOWLAND DRIVE, BURNABY, BC, CANADA  
 TEL: (604) 431-5000 FAX: (604) 431-5066  
 www.beaverelectrical.com

**TVR SERIES  
 SPECIFICATION SHEET**

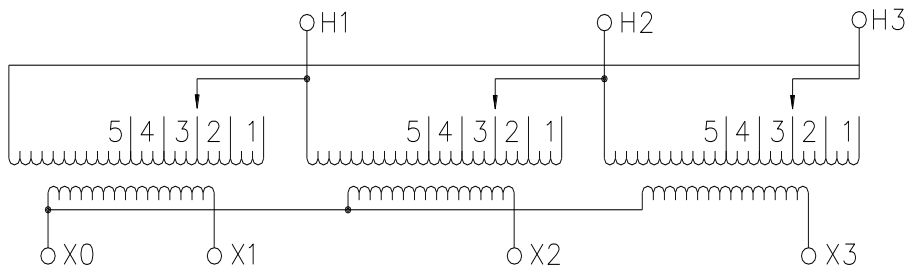
**3 PHASE TRANSFORMER  
 TYPE: DRY TYPE  
 FLOOR OR WALL MOUNT**

CAT. NO.: TVR15H-H34C3  
 KVA: 15  
 Primary Volt: 208▲  
 Secondary Volt: 208Y/120  
 Phase: 3  
 Frequency: 60 HZ  
 Winding Matl.: Copper  
 Weight: 240 LBS  
 Insulation Class: 220°C  
 Temperature Rise: 150°C  
 Impedance: 4.5-5.5%  
 Eff. @ 35% load: 97.5%  
 BIL: 10 kV  
 Enclosure: TYPE 2  
 NEMA 3R with optional kit  
 EFF. STAN- NRCAN 2019, DOE 2016  
 DARDS:  
 Approvals: UL, CSA



**WIRING AND CONNECTION DIAGRAM**

PRI VOLT	JUMPERS TO	PRI LINE CONN	SEC VOLT	PHASE	SEC LINE CONN
218	1-1-1	H1, H2, H3	208	3	X1, X2, X3
213	2-2-2	H1, H2, H3	120	1	BETWEEN X0 AND X1 or X2 or X3
208	3-3-3	H1, H2, H3			
203	4-4-4	H1, H2, H3			
198	5-5-5	H1, H2, H3			



NOTE: Specifications and dimensions subject to change without notice