

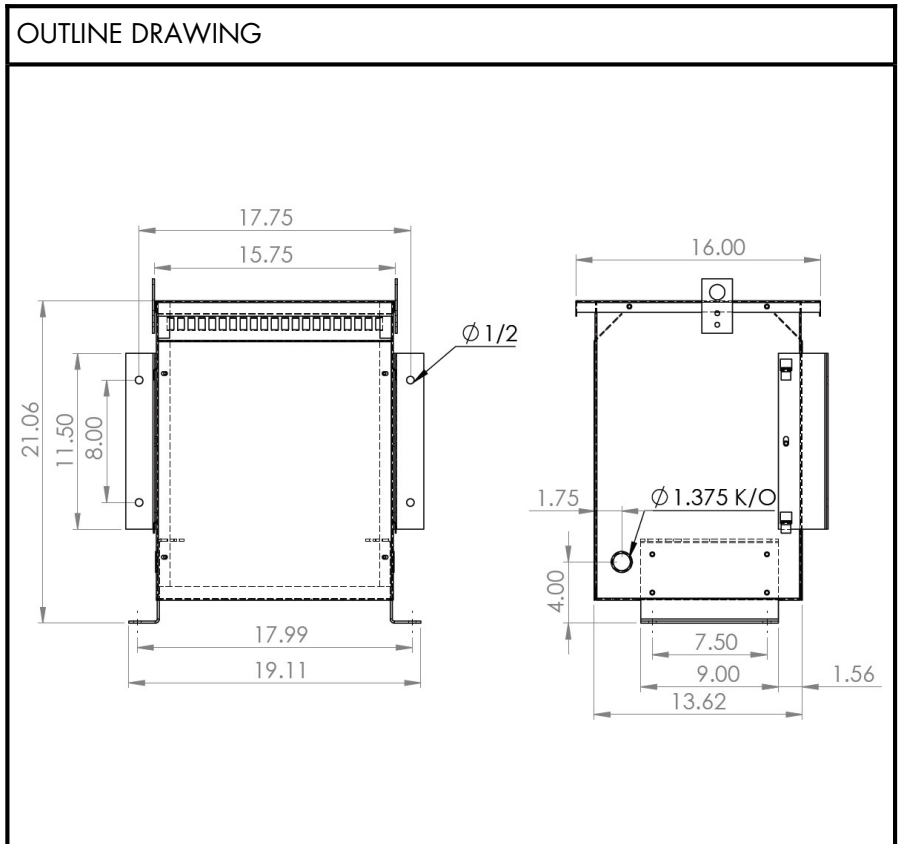


BEAVER ELECTRICAL MACHINERY
 7440 LOWLAND DRIVE, BURNABY, BC, CANADA
 TEL: (604) 431-5000 FAX: (604) 431-5066
 www.beavelectrical.com

**TVR SERIES
 SPECIFICATION SHEET**

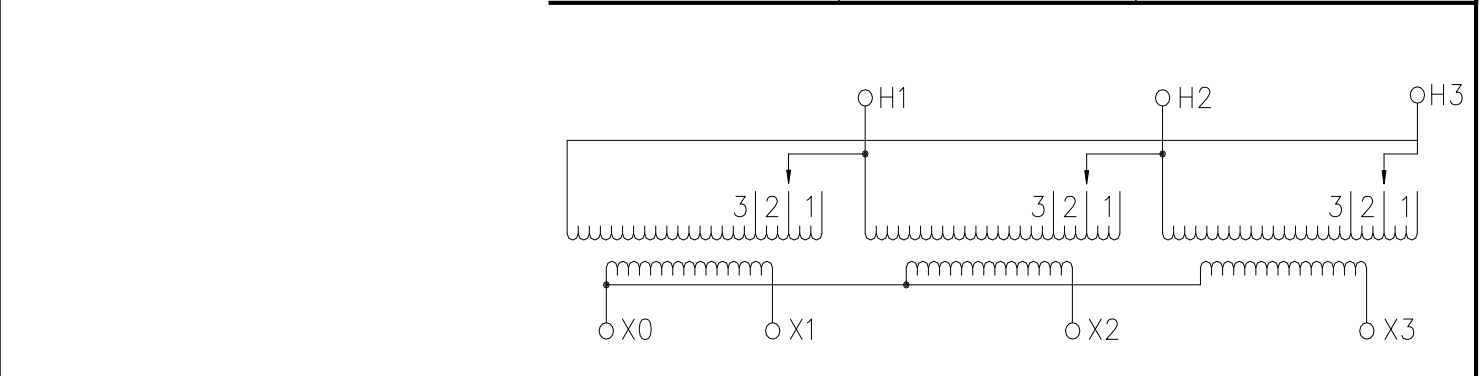
**3 PHASE TRANSFORMER
 TYPE: DRY TYPE
 FLOOR OR WALL MOUNT**

CAT. NO.: TVR10T-H34C
 KVA: 10
 PRIMARY VOLT: 600 ▲
 SECONDARY VOLT: 208Y/120
 PHASE: 3
 FREQ: 60 HZ
 WINDING MATL: COPPER
 WEIGHT: 143 LBS
 INSUL. CLASS: 220°C
 TEMP. RISE: 150°C
 IMPEDANCE: 5.0-6.0%
 TAPS: FULL CURRENT
 BIL: 10 kV
 ENCLOSURE: TYPE 2
TYPE 3R with optional kit
 APPROVALS: UL, CSA



WIRING AND CONNECTION DIAGRAM

PRI VOLT	JUMPERS TO	PRI LINE CONN	SEC VOLT	PHASE	SEC LINE CONN
630	1-1-1	H1, H2, H3	208	3	X1, X2, X3
600	2-2-2	H1, H2, H3	120	1	BETWEEN X0 AND X1 or X2 or X3
570	3-3-3	H1, H2, H3			



NOTE: Specifications and dimensions subject to change without notice