

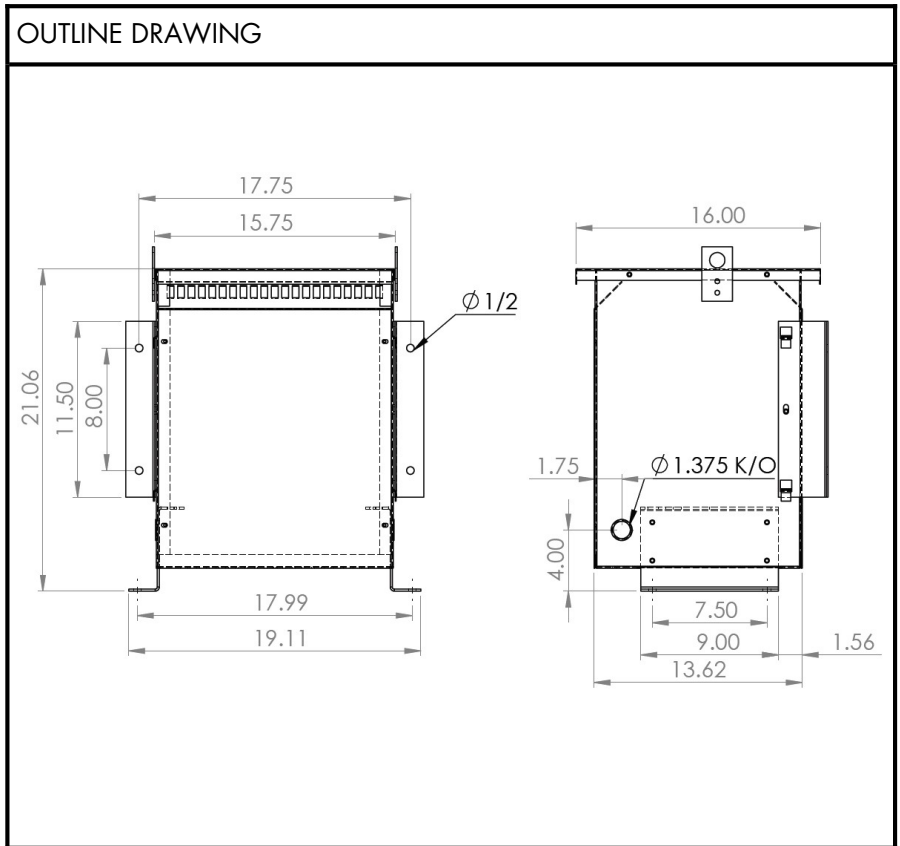


**BEAVER ELECTRICAL MACHINERY**  
 7440 LOWLAND DRIVE, BURNABY, BC, CANADA  
 TEL: (604) 431-5000 FAX: (604) 431-5066  
 www.beaverelectrical.com

**TVR SERIES  
 SPECIFICATION SHEET**

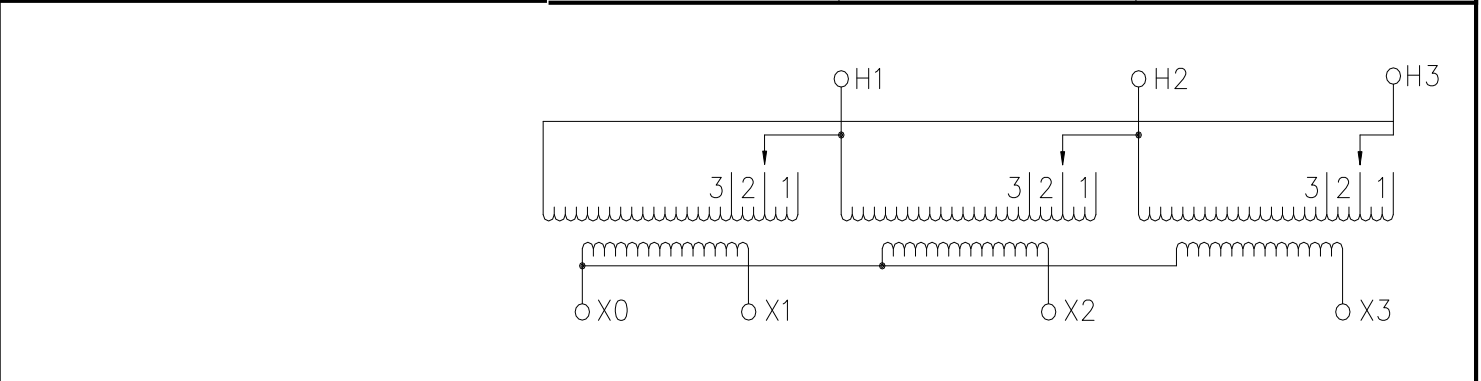
**3 PHASE TRANSFORMER  
 TYPE: DRY TYPE  
 FLOOR OR WALL MOUNT**

CAT. NO.: TVR10S-K34C  
 KVA: 10  
 PRIMARY VOLT: 480▲  
 SECONDARY VOLT: 240Y/139  
 PHASE: 3  
 FREQ: 60 HZ  
 WINDING MATL: COPPER  
 WEIGHT: 120 LBS  
 INSUL. CLASS: 220°C  
 TEMP. RISE: 150°C  
 IMPEDANCE: 5.0-6.0%  
 TAPS: FULL CURRENT  
 BIL: 10 kV  
 ENCLOSURE: TYPE 2  
 TYPE 3R with optional kit  
 APPROVALS: UL, CSA



**WIRING AND CONNECTION DIAGRAM**

PRI VOLT	JUMPERS TO	PRI LINE CONN	SEC VOLT	PHASE	SEC LINE CONN
504	1-1-1	H1, H2, H3	240	3	X1, X2, X3
480	2-2-2	H1, H2, H3	139	1	BETWEEN X0 AND X1 or X2 or X2
456	3-3-3	H1, H2, H3			



NOTE: Specifications and dimensions subject to change without notice