



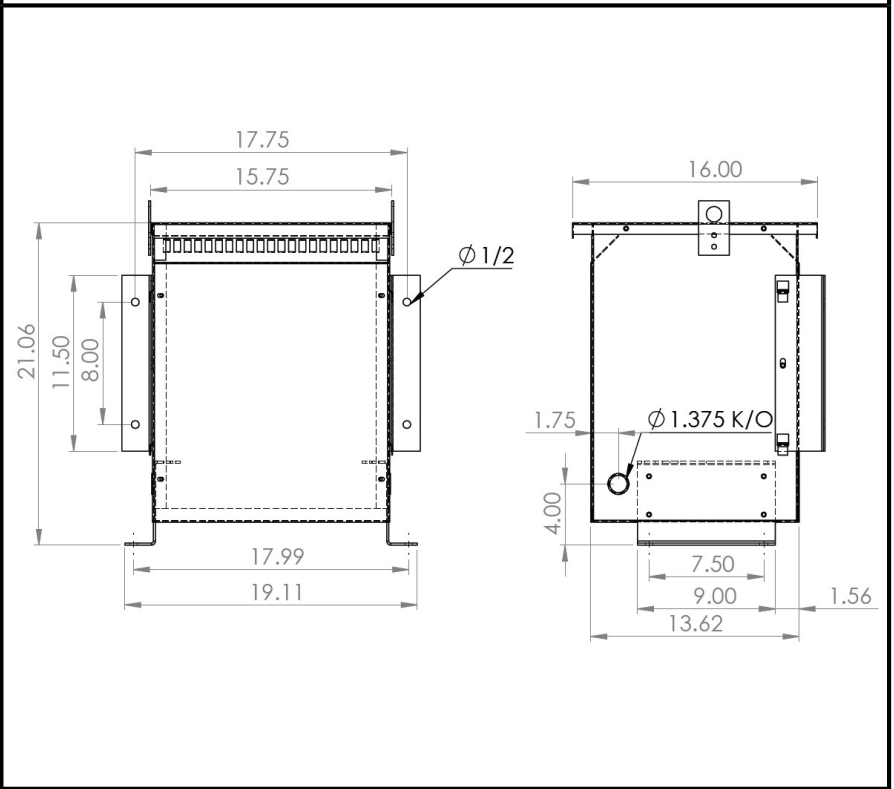
**BEAVER ELECTRICAL MACHINERY**  
 7440 LOWLAND DRIVE, BURNABY, BC, CANADA  
 TEL: (604) 431-5000 FAX: (604) 431-5066  
 www.beaverelectrical.com

**TVR SERIES  
 SPECIFICATION SHEET**

**3 PHASE TRANSFORMER  
 TYPE: DRY TYPE  
 FLOOR OR WALL MOUNT**

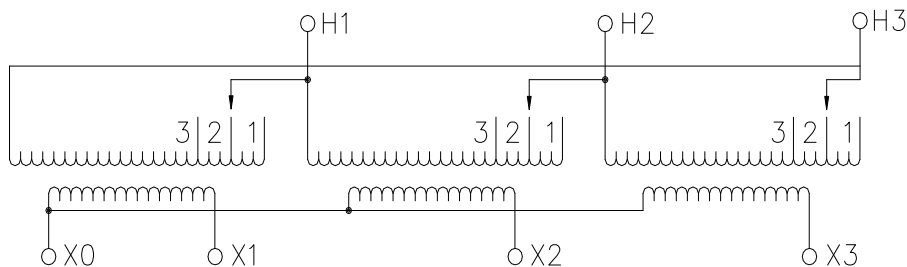
CAT. NO.: TVR10K-S34C  
 KVA: 10  
 Primary Volt: 240▲  
 Secondary Volt: 480Y/277  
 Phase: 3  
 Frequency: 60 HZ  
 Winding Matl.: Copper  
 Weight: 143 LBS  
 Insulation Class: 220°C  
 Temperature Rise: 150°C  
 Impedance: 6.0-7.0%  
 Eff. @ 35% load: 97.5%  
 BIL: 10 kV  
 Enclosure: NEMA 2  
 NEMA 3R with optional kit  
 Approvals: UL, CSA

**OUTLINE DRAWING**



**WIRING AND CONNECTION DIAGRAM**

PRI VOLT	JUMPERS TO	PRI LINE CONN	SEC VOLT	PHASE	SEC LINE CONN
252	1-1-1	H1, H2, H3	480	3	X1, X2, X3
240	2-2-2	H1, H2, H3	277	1	BETWEEN X0 AND X1 or X2 or X2
228	3-3-3	H1, H2, H3			



**Preliminary drawing only**

Specifications and dimensions subject to change by Beaver's engineering dept