



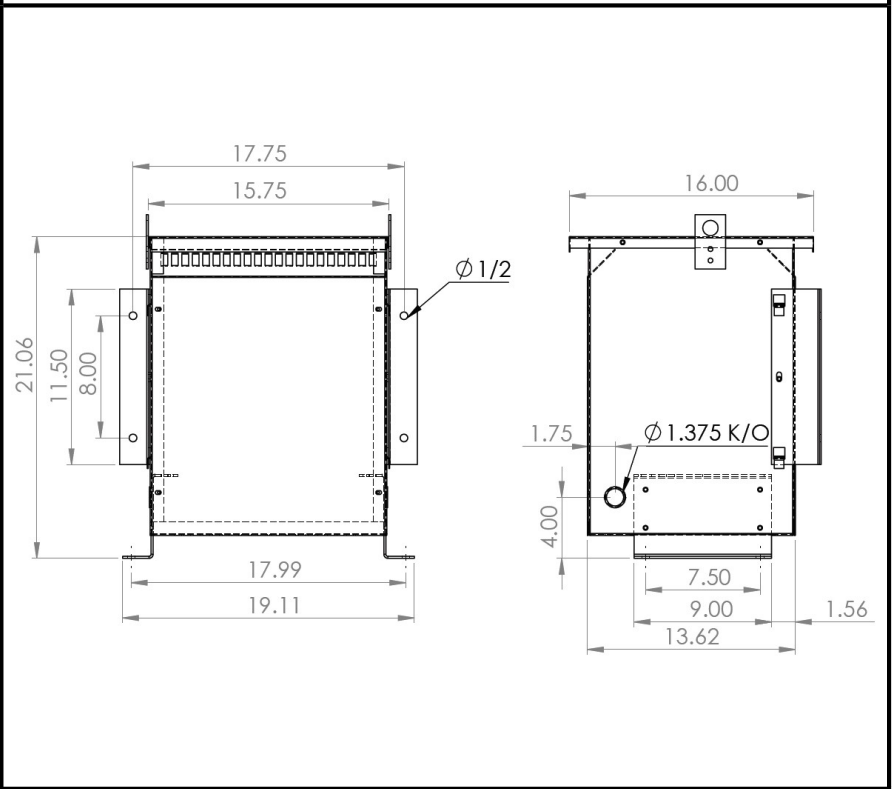
BEAVER ELECTRICAL MACHINERY
 7440 LOWLAND DRIVE, BURNABY, BC, CANADA
 TEL: (604) 431-5000 FAX: (604) 431-5066
 www.beaverelectrical.com

**TVR SERIES
 SPECIFICATION SHEET**

**3 PHASE TRANSFORMER
 TYPE: DRY TYPE
 FLOOR OR WALL MOUNT**

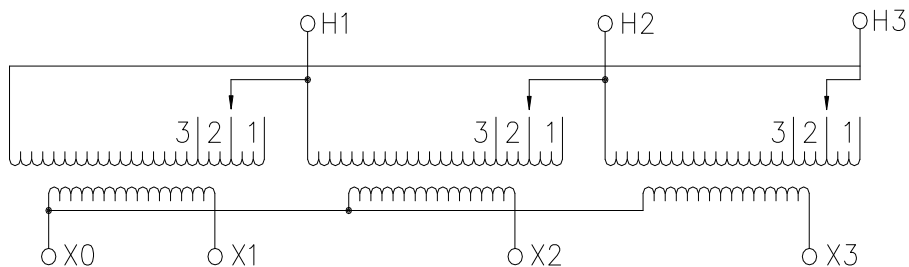
CAT. NO.: TVR10K-Q34C
 KVA: 10
 Primary Volt: 240▲
 Secondary Volt: 400Y/230
 Phase: 3
 Frequency: 60 HZ
 Winding Matl.: Copper
 Weight: 143 LBS
 Insulation Class: 220°C
 Temperature Rise: 150°C
 Impedance: 6.0-7.0%
 Eff. @ 35% load: 97.5%
 BIL: 10 kV
 Enclosure: NEMA 2
 NEMA 3R with optional kit
 Approvals: UL, CSA

OUTLINE DRAWING



WIRING AND CONNECTION DIAGRAM

PRI VOLT	JUMPERS TO	PRI LINE CONN	SEC VOLT	PHASE	SEC LINE CONN
252	1-1-1	H1, H2, H3	400	3	X1, X2, X3
240	2-2-2	H1, H2, H3	230	1	BETWEEN X0 AND X1 or X2 or X2
228	3-3-3	H1, H2, H3			



Preliminary drawing only

Specifications and dimensions subject to change by Beaver's engineering dept