

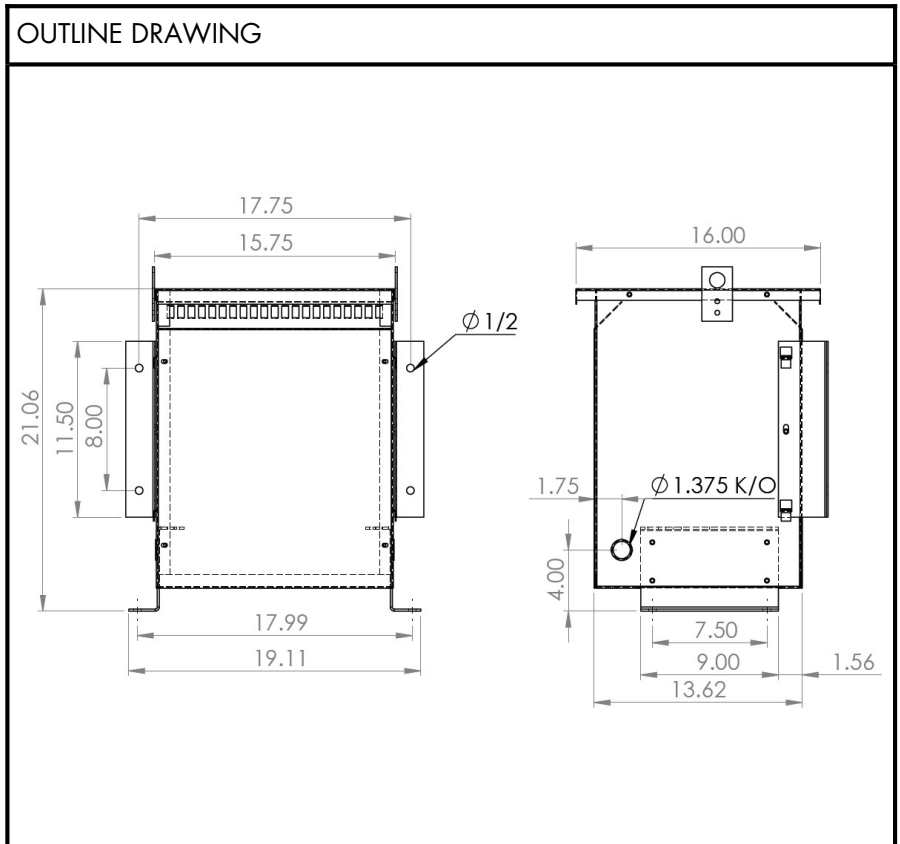


BEAVER ELECTRICAL MACHINERY
 7440 LOWLAND DRIVE, BURNABY, BC, CANADA
 TEL: (604) 431-5000 FAX: (604) 431-5066
 www.beaverelectrical.com

**TVR SERIES
 SPECIFICATION SHEET**

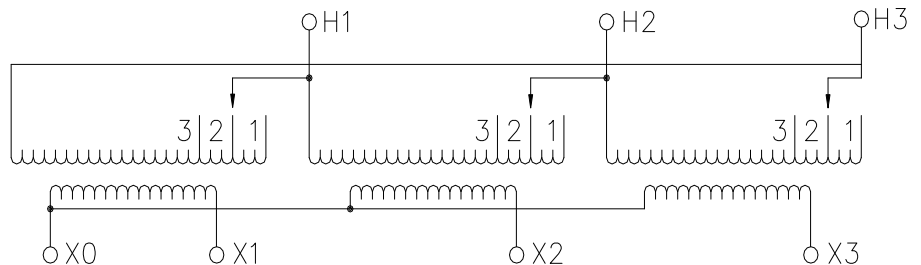
**3 PHASE TRANSFORMER
 TYPE: DRY TYPE
 FLOOR OR WALL MOUNT**

CAT. NO.: TVR10H-H34C
 KVA: 10
 PRIMARY VOLT: 208 ▲
 SECONDARY VOLT: 208Y/120
 PHASE: 3
 FREQ: 60 HZ
 WINDING MATL: COPPER
 WEIGHT: 143 LBS
 INSUL. CLASS: 220°C
 TEMP. RISE: 150°C
 IMPEDANCE: 5.0-6.0%
 TAPS: FULL CURRENT
 BIL: 10 kV
 ENCLOSURE: TYPE 2
TYPE 3R with optional kit
 APPROVALS: UL, CSA



WIRING AND CONNECTION DIAGRAM

| PRI VOLT | JUMPERS TO | PRI LINE CONN | SEC VOLT | PHASE | SEC LINE CONN |
|----------|------------|---------------|----------|-------|-------------------------------|
| 218 | 1-1-1 | H1, H2, H3 | 208 | 3 | X1, X2, X3 |
| 208 | 2-2-2 | H1, H2, H3 | 120 | 1 | BETWEEN X0 AND X1 or X2 or X3 |
| 198 | 3-3-3 | H1, H2, H3 | | | |



NOTE: Specifications and dimensions subject to change without notice