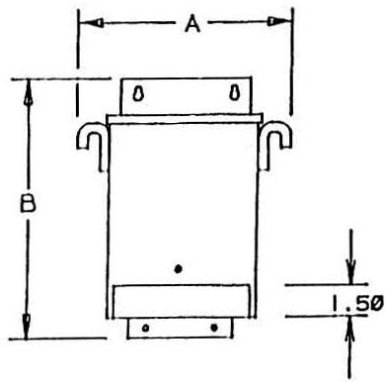
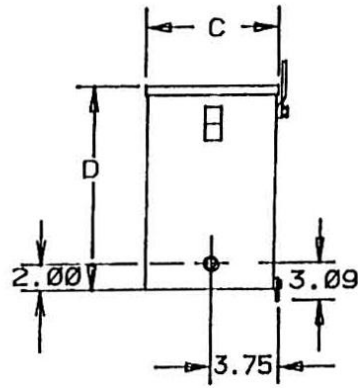


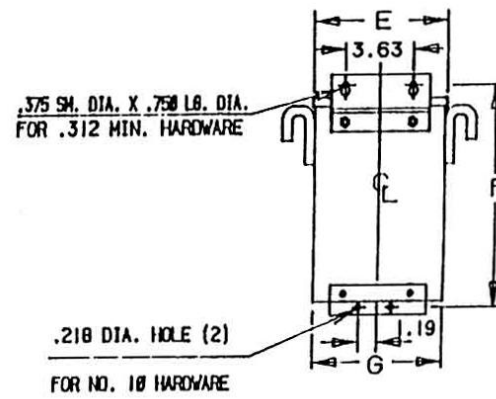
Revisions



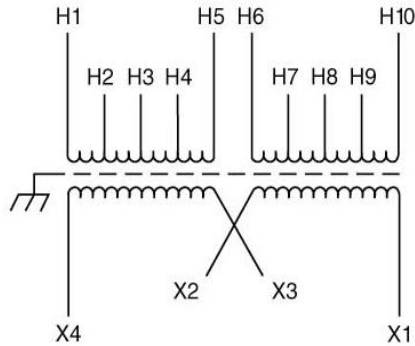
FRONT



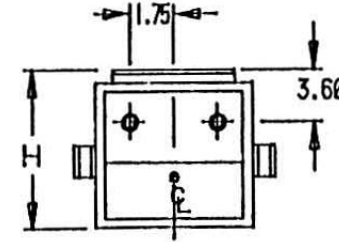
SIDE



BACK



Primary Volts	Connect Primary Lines To	Inter-Connect	Connect Secondary Lines To
190	H1 & H7	H1 to H6 H2 to H7	
200	H1 & H8	H1 to H6 H3 to H8	
208	H1 & H9	H1 to H6 H4 to H9	
220	H1 & H10	H1 to H6 H5 to H10	
380	H1 & H7	H2 & H6	
400	H1 & H8	H3 & H6	
416	H1 & H9	H4 & H6	
440	H1 & H10	H5 & H6	
Secondary Volts			
240		X2 to X3	X1-X4
120/240		X2 to X3	X1-X2-X4
120		X1 to X3 X2 to X4	X1-X4



BOTTOM

ACME  **ELECTRIC**

File No.

UL - E79947

CSA - 7357

KVA	CATALOG NUMBER	VOLTAGE		WIRING DIAGRAM	WEIGHT	PHASE	FREQ.
		HIGH	LOW				
3.0	TF-2-49873-S	190/200/208/220 380/400/416/440	120/240		55 Lbs	1 ϕ	50/60 Hz

TYPICAL PERFORMANCE DATA

Winding Rise	115°C
Insulation	180°C
Sound Level	40 dB

Standards:	UL/CSA/CE	IMPEDANCE	
------------	-----------	-----------	--

Enclosure: NEMA-3R

Typical Efficiency	
Total Load Losses	219.5W
No Load Losses	

A	B	C	D	E	F	G	H
10.31	12.50	6.65	10.19	7.81	11.50	7.68	7.13

A PRINTS TO **CONTROL 7**