



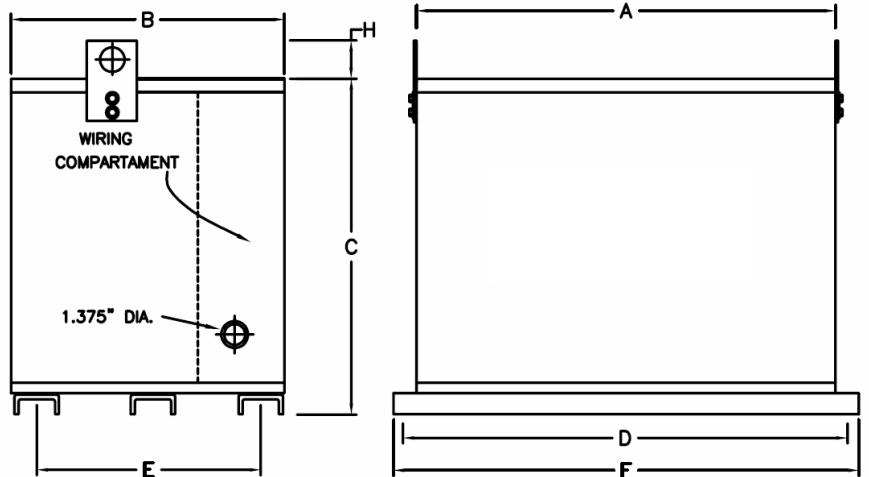
BEAVER ELECTRICAL MACHINERY
 7440 LOWLAND DRIVE, BURNABY, BC, CANADA
 TEL: (604) 431-5000 FAX: (604) 431-5066
 www.beavelectrical.com

TER SERIES SPECIFICATION SHEET

3 PHASE TRANSFORMER TYPE: EPOXY ENCAPSULATED FLOOR MOUNT

CAT. NO.: TER45T-H34A
 KVA: 45
 PRIMARY VOLT: 600▲
 SECONDARY VOLT: 208Y/120
 PHASE: 3
 FREQ: 60 HZ
 WINDING MATL: Aluminum
 WEIGHT: 785 LBS
 INSUL. CLASS: 200°C
 TEMP. RISE: 130°C
 IMPEDANCE: 2.0 - 3.0%
 BIL: 10 kV
 ENCLOSURE: TYPE 3R
 APPROVALS: CSA, UL

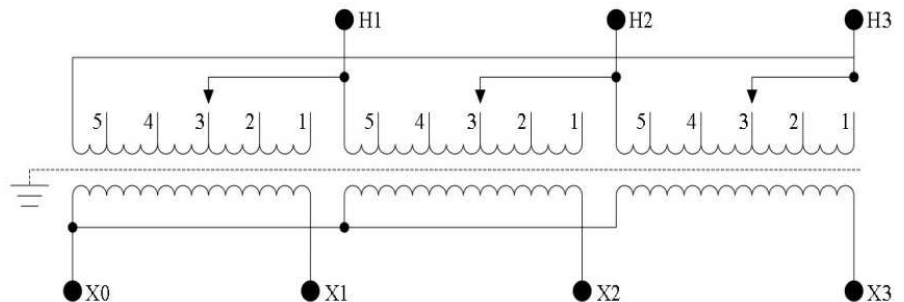
OUTLINE DRAWING



A	B	C	D	E	F	H
32"	18"	25"	34.5"	14.5"	36"	

WIRING AND CONNECTION DIAGRAM

PRI VOLT	JUMPERS TO	PRI LINE CONN	SEC VOLT	PHASE	SEC LINE CONN
630	1-1-1	H1, H2, H3	208	3	X1, X2, X3
615	2-2-2	H1, H2, H3	120	1	BETWEEN X0 AND X1 or X2 or X3
600	3-3-3	H1, H2, H3			
585	4-4-4	H1, H2, H3			
570	5-5-5	H1, H2, H3			



NOTE: Specifications and dimensions subject to change without notice