



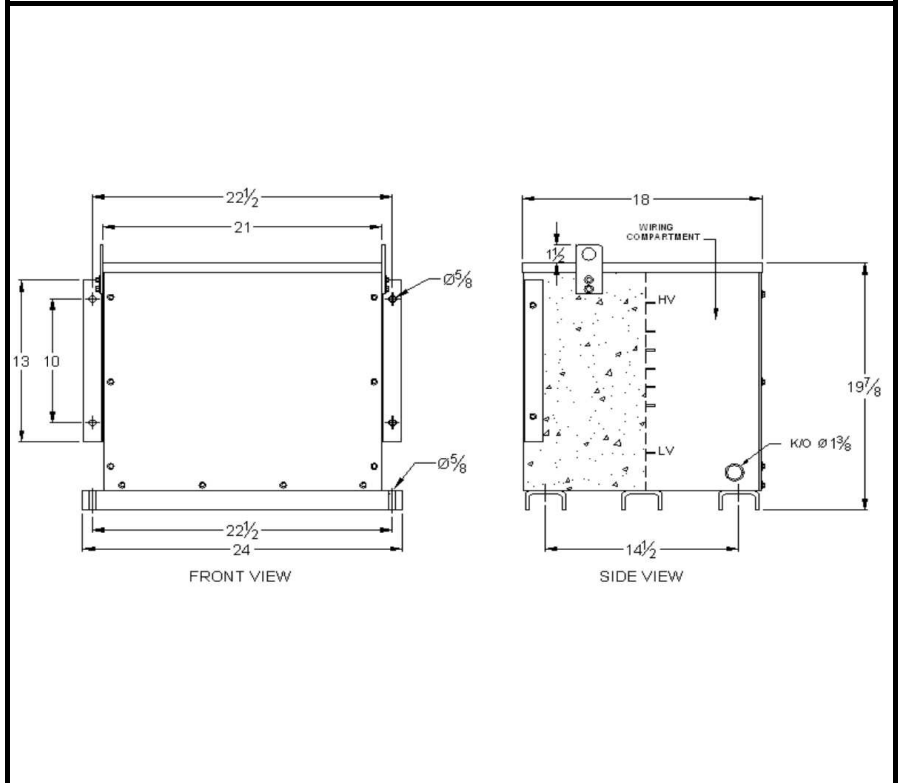
BEAVER ELECTRICAL MACHINERY
 7440 LOWLAND DRIVE, BURNABY, BC, CANADA
 TEL: (604) 431-5000 FAX: (604) 431-5066
 www.beaverelectrical.com

**TER SERIES
 SPECIFICATION SHEET**

**3 PHASE TRANSFORMER
 TYPE: EPOXY ENCAPSULATED
 FLOOR OR WALL MOUNT**

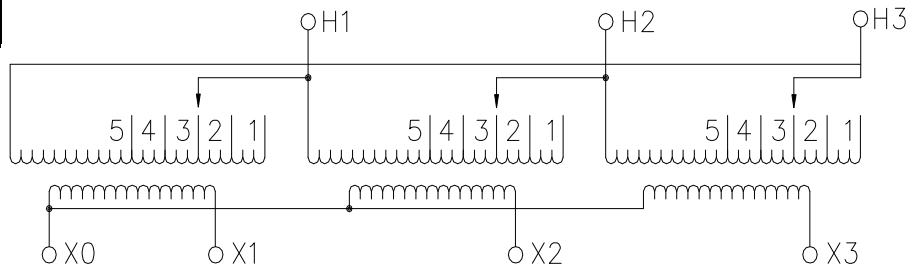
CAT. NO.: TER30T-H34A
 KVA: 30
 PRIMARY VOLT: 600▲
 SECONDARY VOLT: 208Y/120
 PHASE: 3
 FREQ: 60 HZ
 WINDING MATL: Aluminum
 WEIGHT: 500 LBS
 INSUL. CLASS: 200°C
 TEMP. RISE: 130°C
 IMPEDANCE: 3.0 - 4.0%
 TAPS: FULL CURRENT
 BIL: 10 kV
 ENCLOSURE: TYPE 3R
 PRI AND SEC LUGS: Cu/Al 2-12 AWG
 APPROVALS: CSA, UL

OUTLINE DRAWING



WIRING AND CONNECTION DIAGRAM

| PRI VOLT | JUMPERS TO | PRI LINE CONN | SEC VOLT | PHASE | SEC LINE CONN |
|----------|------------|---------------|----------|-------|-------------------------------|
| 630 | 1-1-1 | H1, H2, H3 | 208 | 3 | X1, X2, X3 |
| 615 | 2-2-2 | H1, H2, H3 | 120 | 1 | BETWEEN X0 AND X1 or X2 or X3 |
| 600 | 3-3-3 | H1, H2, H3 | | | |
| 585 | 4-4-4 | H1, H2, H3 | | | |
| 570 | 5-5-5 | H1, H2, H3 | | | |



NOTE: Specifications and dimensions subject to change without notice