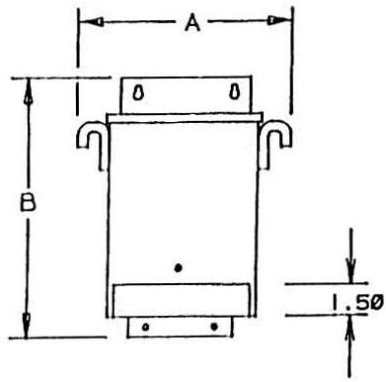
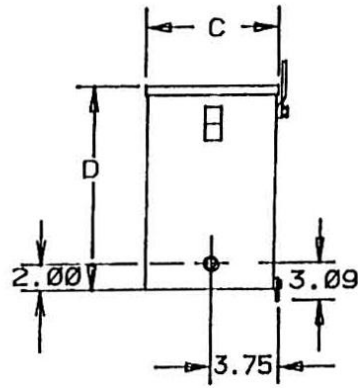


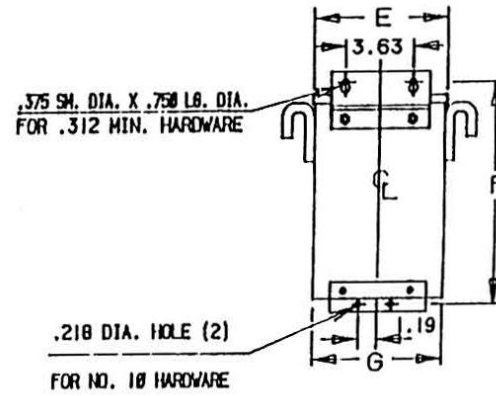
Revisions



FRONT



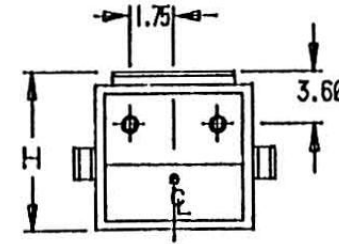
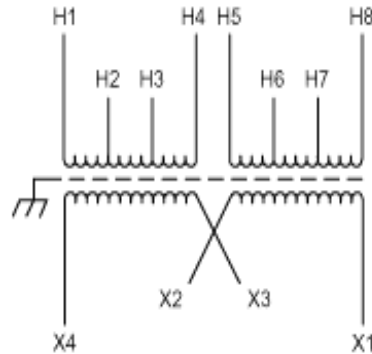
SIDE



BACK

Primary Volts	Connect Primary Lines To	Inter-Connect	Connect Secondary Lines To
252	H1-H8	H1 to H5 H4 to H8	
240	H1-H7	H1 to H5 H3 to H7	
228	H1-H6	H1 to H5 H2 to H6	
504	H1-H8	H4 to H5	
492	H1-H8	H3 to H5	
480	H1-H7	H3 to H5	
468	H1-H7	H2 to H5	
456	H1-H6	H2 to H5	

Secondary Volts			
240		X2 to X3	X1-X4
120/240		X2 to X3	X1-X2-X4
120		X1 to X3 X2 to X4	X1-X4



BOTTOM

KVA	CATALOG NUMBER	VOLTAGE		WIRING DIAGRAM	WEIGHT	PHASE	FREQ.
		HIGH	LOW				
5.0	T-2-53014-4S	240 x 480	120/240		75 Lbs	1φ	60 Hz

TYPICAL PERFORMANCE DATA

Winding Rise	115°C
Insulation	180°C
Sound Level	40 dB

Regulation @ 100% PF	3%	IMPEDANCE	3.36%
----------------------	----	-----------	-------

Typical Efficiency	96.1%
No Load Losses	50W
Full Load Losses	201W

Windings CU: Enclosure: NEMA-3R

A	B	C	D	E	F	G	H
10.31	15.63	6.65	13.06	7.81	14.38	7.68	7.13



Type No.

A

PRINTS TO

CONTROL
7