

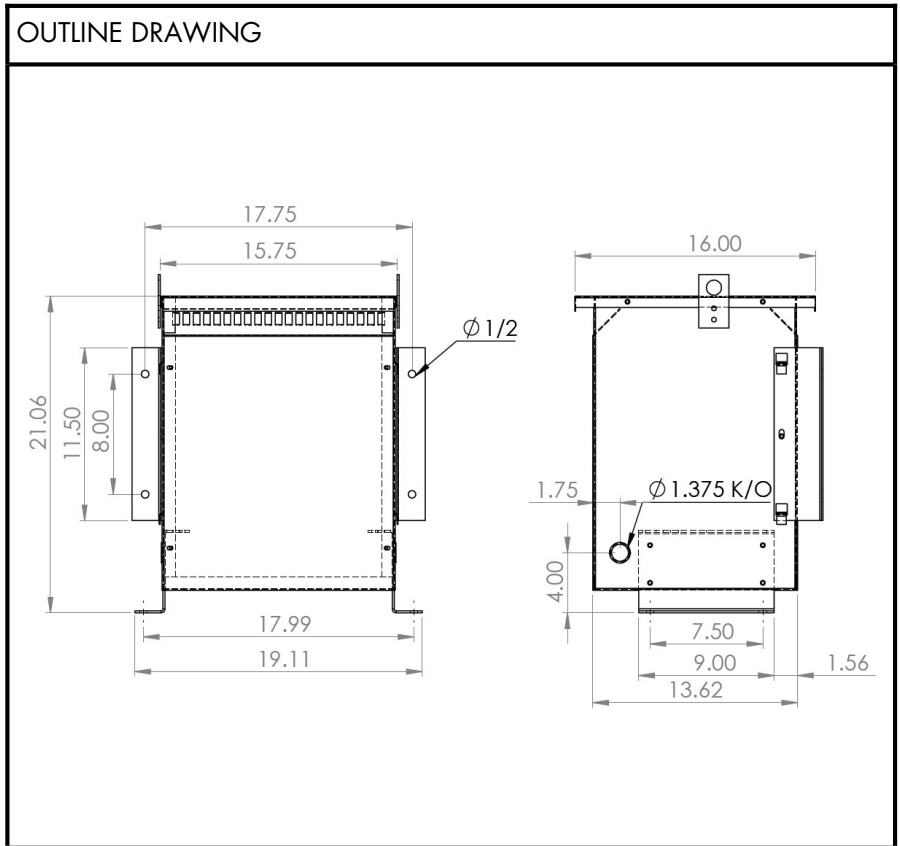


BEAVER ELECTRICAL MACHINERY
 7440 LOWLAND DRIVE, BURNABY, BC, CANADA
 TEL: (604) 431-5000 FAX: (604) 431-5066
 www.beaverelectrical.com

**SVR SERIES
 SPECIFICATION SHEET**

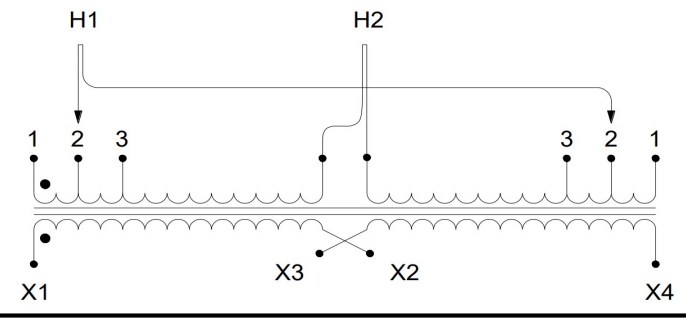
**1 PHASE ISOLATION TRANSFORMER
 TYPE: DRY TYPE**

CAT. NO.: SVR7K-G8C
 KVA: 7.5
 PRIMARY VOLT: 240
 SECONDARY VOLT: 120/240
 PHASE: 1
 FREQ: 60 HZ
 WEIGHT: 100 LBS
 INSUL. CLASS: 220°C
 TEMP. RISE: 150°C
 BIL: 10 KV
 IMPEDANCE: 5.0 - 6.0%
 WINDING: Copper
 ENCLOSURE: NEMA 1
 NEMA 3R with optional kit
 APPROVALS: UL, CSA



WIRING AND CONNECTION DIAGRAM

PRI VOLT		PRI LINE CONN	SEC VOLT	INTERCONNECT	SEC LINE CONN
252		H3-H4	240	X2 TO X3	X1 AND X4
240		H2-H3	120/240	X2 TO X3	X1-X2-X4
228		H1-H2	120	X1 TO X3	X1-X4
				X2 TO X4	



Specifications subject to change by Beaver engineering department