

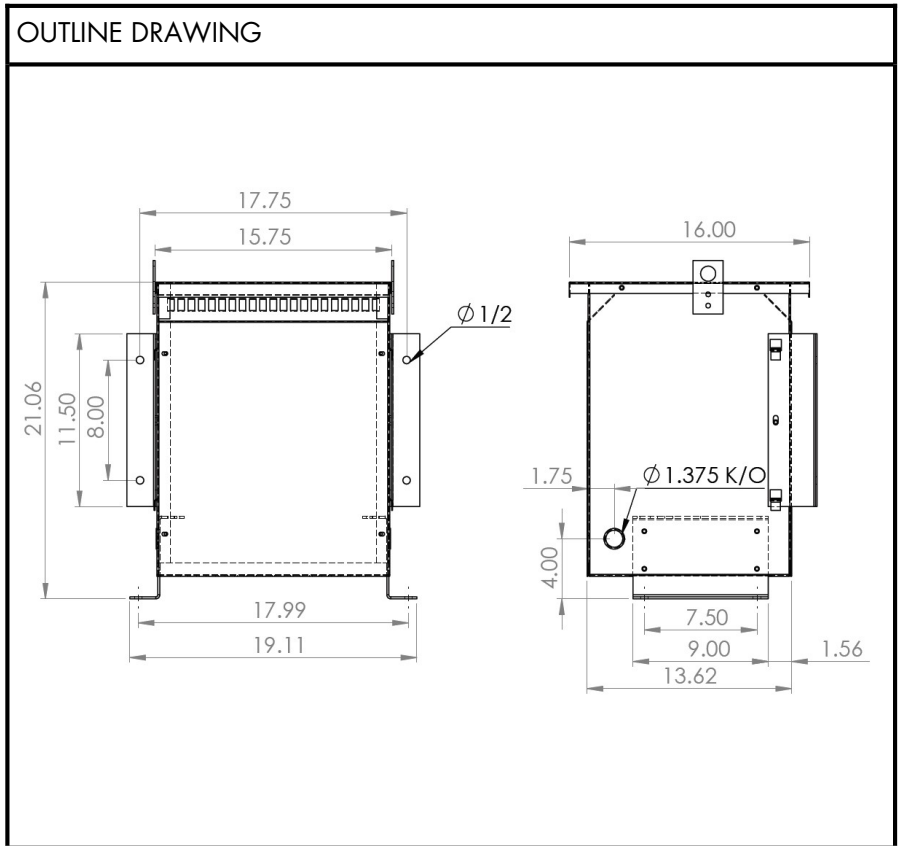


**BEAVER ELECTRICAL MACHINERY**  
 7440 LOWLAND DRIVE, BURNABY, BC, CANADA  
 TEL: (604) 431-5000 FAX: (604) 431-5066  
 www.beaverelectrical.com

**SVR SERIES  
 SPECIFICATION SHEET**

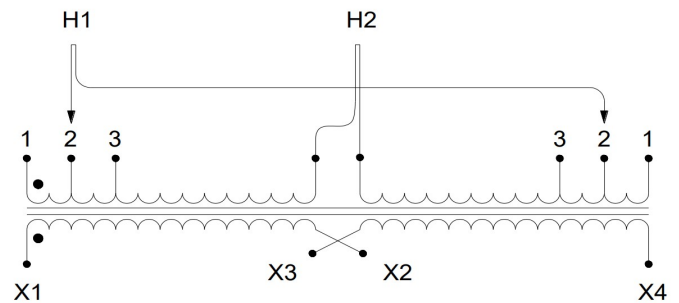
**1 PHASE ISOLATION TRANSFORMER  
 TYPE: DRY TYPE**

CAT. NO.: SVR7H-G8C  
 KVA: 7.5  
 PRIMARY VOLT: 208  
 SECONDARY VOLT: 120/240  
 PHASE: 1  
 FREQ: 60 HZ  
 WEIGHT: 100 LBS  
 INSUL. CLASS: 220°C  
 TEMP. RISE: 150°C  
 BIL: 10 KV  
 IMPEDANCE: 5.0 - 6.0%  
 WINDING: Copper  
 ENCLOSURE: NEMA 1  
                   NEMA 3R with optional kit  
 APPROVALS: UL, CSA



**WIRING AND CONNECTION DIAGRAM**

PRI VOLT		PRI LINE CONN	SEC VOLT	INTERCONNECT	SEC LINE CONN
218		H3-H4	240	X2 TO X3	X1 AND X4
208		H2-H3	120/240	X2 TO X3	X1-X2-X4
198		H1-H2	120	X1 TO X3	X1-X4
				X2 TO X4	



Specifications subject to change by Beaver engineering department