

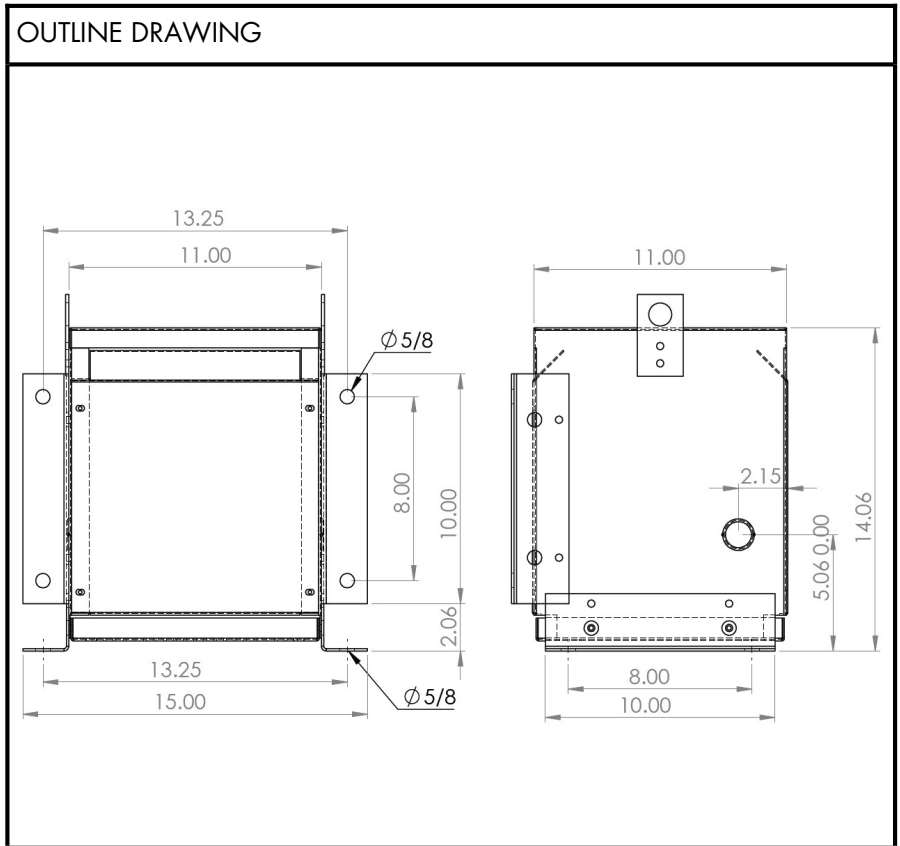


**BEAVER ELECTRICAL MACHINERY**  
 7440 LOWLAND DRIVE, BURNABY, BC, CANADA  
 TEL: (604) 431-5000 FAX: (604) 431-5066  
 www.beaverelectrical.com

**SVR SERIES  
 SPECIFICATION SHEET**

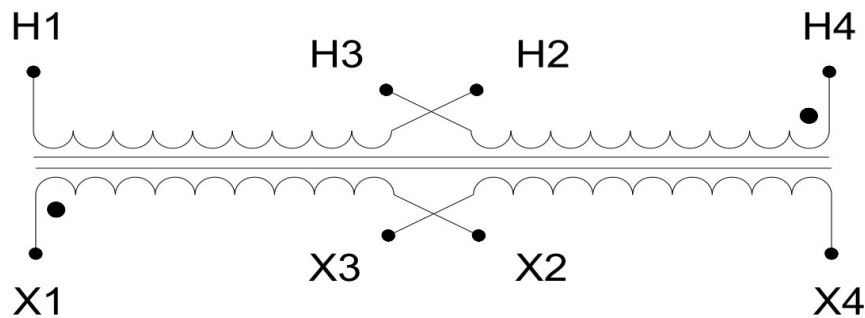
**1 PHASE ISOLATION TRANSFORMER  
 TYPE: DRY TYPE**

CAT. NO.: SVR5G-G8C  
 KVA: 5  
 PRIMARY VOLT: 120/240  
 SECONDARY VOLT: 120/240  
 PHASE: 1  
 FREQ: 60 HZ  
 WEIGHT: 80 LBS  
 INSUL. CLASS: 220°C  
 TEMP. RISE: 150°C  
 BIL: 10 KV  
 IMPEDANCE: 6.0-7.0%  
 WINDING: Copper  
 ENCLOSURE: NEMA 1  
 NEMA 3R WITH OPTIONAL KIT  
 APPROVALS: UL, CSA



**WIRING AND CONNECTION DIAGRAM**

PRI VOLT	INTERCONNECT	SEC LINE CONN	SEC VOLT	INTERCONNECT	SEC LINE CONN
240	H2 TO H3	H1 AND H4	240	X2 TO X3	X1 AND X4
120	H1 TO H3 H2 TO H4	H1 AND H4	120	X1 TO X3 X2 TO X4	X1 AND X4
120/240	H2 TO H3	H1-H2-H4	120/240	X2 TO X3	X1-X2-X4



Specifications subject to change by Beaver engineering department