



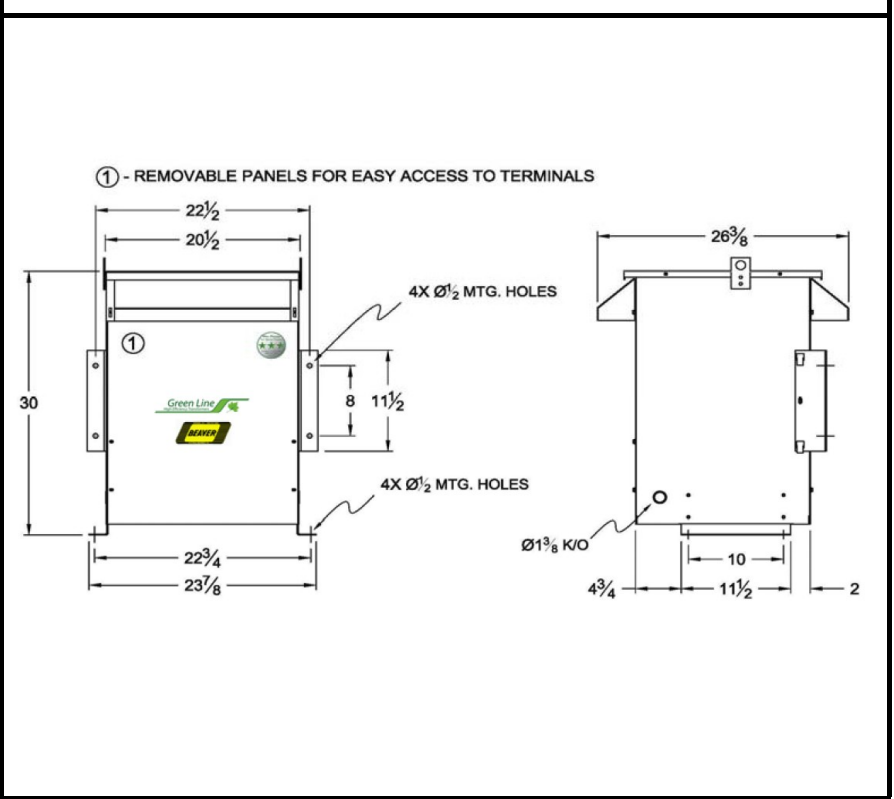
**BEAVER ELECTRICAL MACHINERY**  
 7440 LOWLAND DRIVE, BURNABY, BC, CANADA  
 TEL: (604) 431-5000 FAX: (604) 431-5066  
 www.beaverelectrical.com

**SVR SERIES  
 SPECIFICATION SHEET**

**1 PHASE ISOLATION TRANSFORMER  
 TYPE: DRY TYPE**

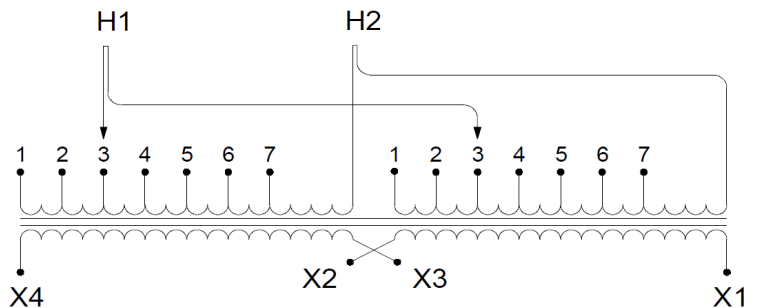
CAT. NO.: SVR25T-G8A3/E3R/ST/OL  
 KVA: 25  
 PRIMARY VOLT: 600  
 SECONDARY VOLT: 120/240  
 PHASE: 1  
 FREQ: 60 HZ  
 WEIGHT: 220 LBS  
 INSUL. CLASS: 220°C  
 TEMP. RISE: 150°C  
 IMPEDANCE: 4.0-6.0%  
 WINDING: ALUMINUM  
 PRIMARY LUGS: 2/0-6 AWG  
 SECONDARY LUGS: 2/0-6 AWG  
 ENCLOSURE: NEMA 3R  
 EFF. STANDARDS: NRCAN 2019, DOE 2016  
 APPROVALS: UL, CSA

**OUTLINE DRAWING**



**WIRING AND CONNECTION DIAGRAM**

PRI VOLT	% TAPS	JUMPERS TO	SEC VOLT	INTERCONNECT	SEC LINE CONN
630	105.0	1-1	240	X2 TO X3	X1—X4
615	102.5	2-2	120/240	X2 TO X3	X1—X2—X4 (X2 IS A NEUTRAL)
600	100.0	3-3			
585	97.5	4-4	120	X1 TO X3 AND X2 TO X4	X1-X4
570	95.0	5-5			
555	92.5	6-6			
540	90.0	7-7			



NOTE: Specifications and dimensions subject to change without notice