

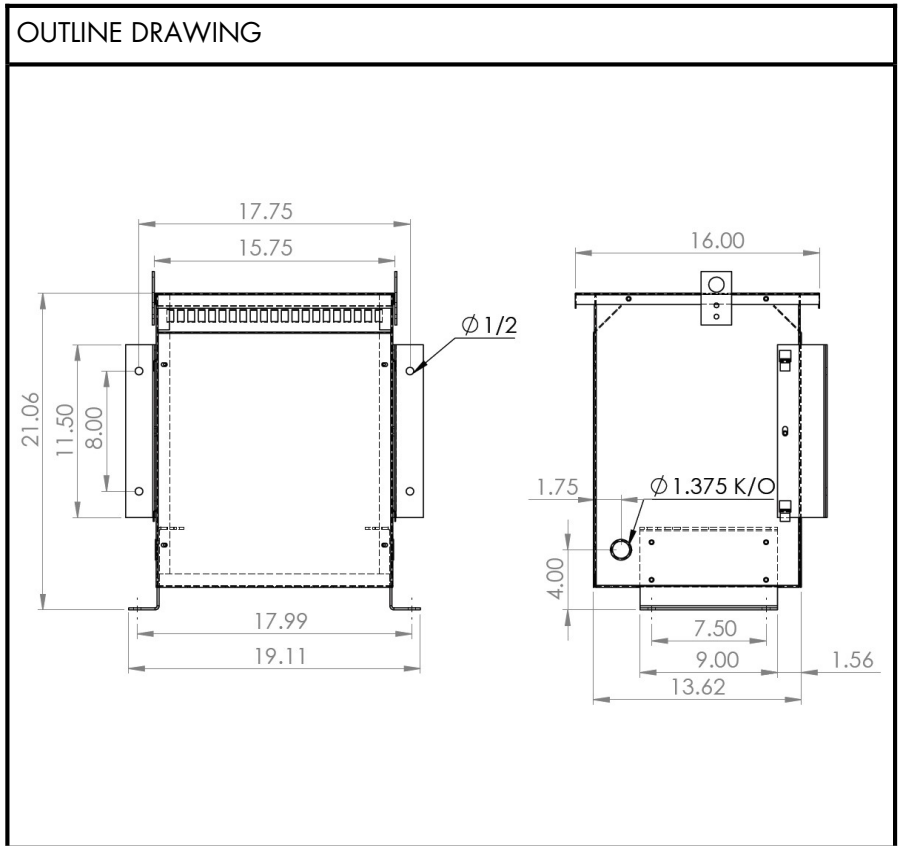


BEAVER ELECTRICAL MACHINERY
 7440 LOWLAND DRIVE, BURNABY, BC, CANADA
 TEL: (604) 431-5000 FAX: (604) 431-5066
 www.beaverelectrical.com

**SVR SERIES
 SPECIFICATION SHEET**

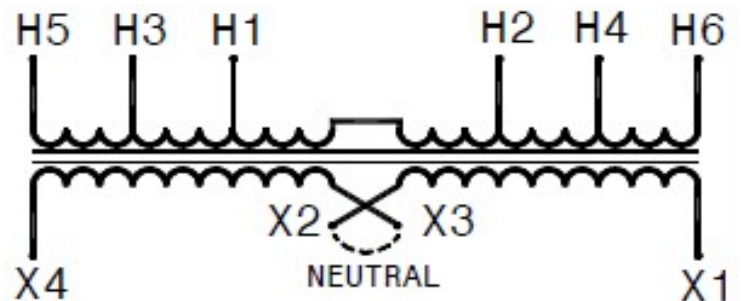
**1 PHASE ISOLATION TRANSFORMER
 TYPE: DRY TYPE**

CAT. NO.: SVR15T-G8C3
 KVA: 15
 PRIMARY VOLT: 600
 SECONDARY VOLT: 240/120
 PHASE: 1
 FREQ: 60 HZ
 WEIGHT: 170 LBS
 INSUL. CLASS: 220°C
 TEMP. RISE: 150°C
 BIL: 10 KV
 IMPEDANCE: 4.5-5.5%
 WINDING: Copper
 ENCLOSURE: NEMA 1
 NEMA 3R WITH OPTIONAL KIT
 EFF. STANDARDS: NRCAN 2019, DOE 2016
 APPROVALS: UL, CSA



WIRING AND CONNECTION DIAGRAM

PRI VOLT		PRI LINE CONN	SEC VOLT	IN	SEC LINE CONN
630		H5-H6	240	X2 TO X3	X1 AND X4
615		H4-H5	120	X1 TO X3 X2 TO X4	X1 AND X4
600		H3-H4	120/240	X2 TO X3	X1-X2-X4
585		H2-H3			
570		H1-H2			



NOTE: Preliminary drawing only
 Specifications subject to change by engineering department