

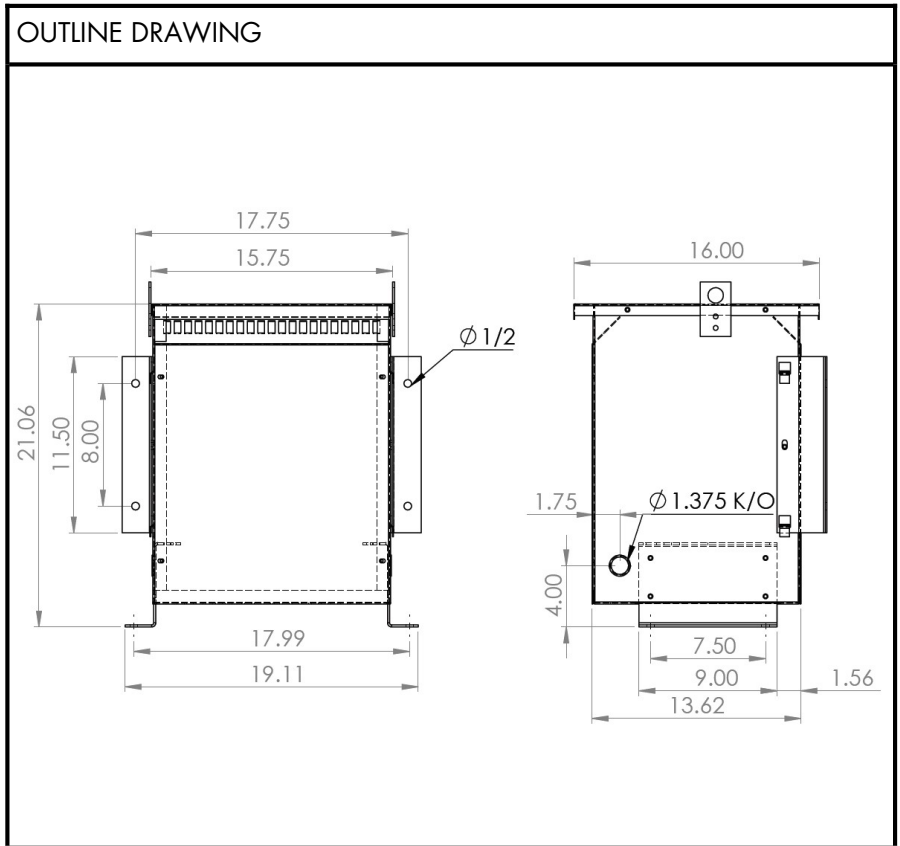


**BEAVER ELECTRICAL MACHINERY**  
 7440 LOWLAND DRIVE, BURNABY, BC, CANADA  
 TEL: (604) 431-5000 FAX: (604) 431-5066  
 www.beaverelectrical.com

**SVR SERIES  
 SPECIFICATION SHEET**

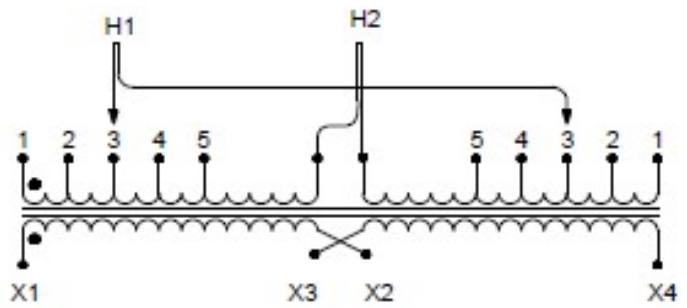
**1 PHASE ISOLATION TRANSFORMER  
 TYPE: DRY TYPE**

CAT. NO.: SVR15T-G8A3  
 KVA: 15  
 PRIMARY VOLT: 600  
 SECONDARY VOLT: 240/120  
 PHASE: 1  
 FREQ: 60 HZ  
 WEIGHT: 175 LBS  
 INSUL. CLASS: 220°C  
 TEMP. RISE: 150°C  
 BIL: 10 KV  
 IMPEDANCE: 5.0-6.0%  
 WINDING: Aluminum  
 ENCLOSURE: NEMA 1  
 NEMA 3R WITH OPTIONAL KIT  
 EFF. STANDARDS: NRCAN 2019, DOE 2016  
 APPROVALS: UL, CSA



**WIRING AND CONNECTION DIAGRAM**

PRI VOLT	% Tap	JUMPER TAP	SEC VOLT	INTERCONNECT	SEC LINE CONN
630	105.0	1	240	X2 TO X3	X1 AND X4
615	102.5	2	120	X1 TO X3 X2 TO X4	X1 AND X4
600	100.0	3	120/240	X2 TO X3	X1 - X2 - X4
585	97.5	4			
570	95.0	5			



Specifications subject to change by Beaver engineering department