



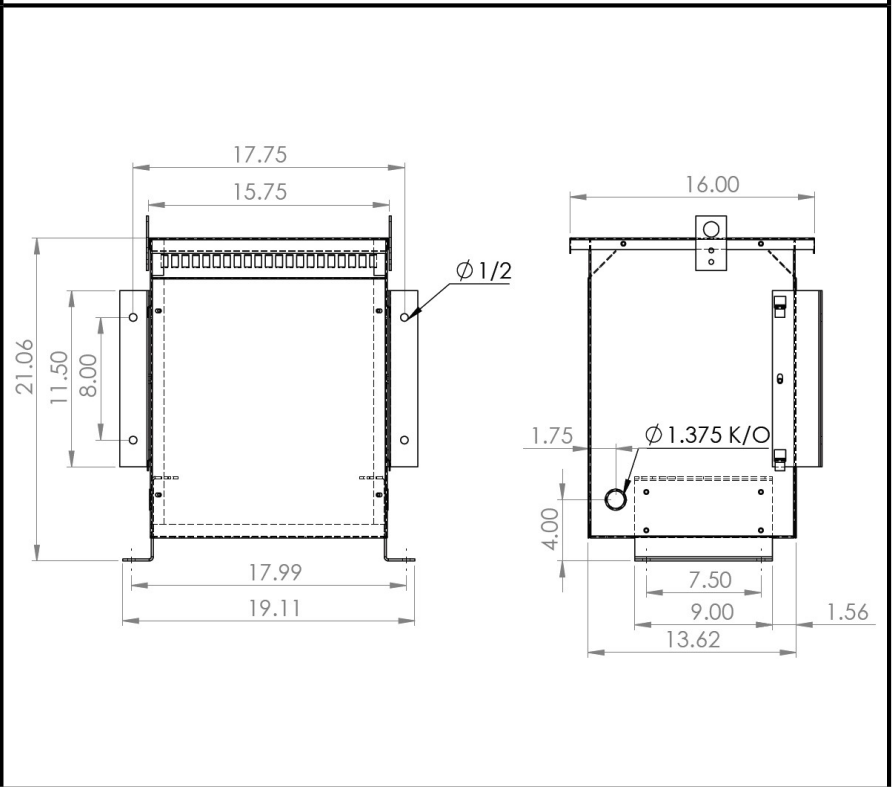
BEAVER ELECTRICAL MACHINERY
 7440 LOWLAND DRIVE, BURNABY, BC, CANADA
 TEL: (604) 431-5000 FAX: (604) 431-5066
 www.beaverelectrical.com

SVR SERIES SPECIFICATION SHEET

1 PHASE ISOLATION TRANSFORMER TYPE: DRY TYPE

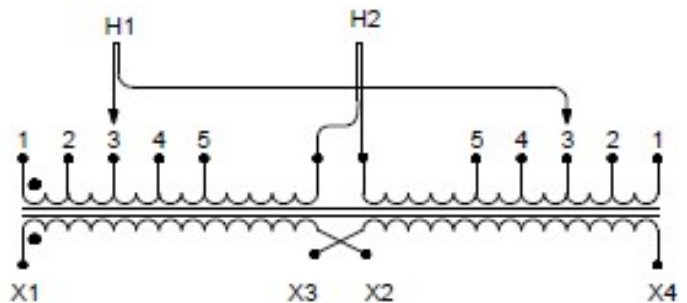
CAT. NO.: SVR15S-G8C3
 KVA: 15
 PRIMARY VOLT: 480
 SECONDARY VOLT: 120/240
 PHASE: 1
 FREQ: 60 HZ
 WEIGHT: 207 LBS
 INSUL. CLASS: 220°C
 TEMP. RISE: 150°C
 IMPEDANCE: 6-7%
 WINDING: COPPER
 ENCLOSURE: NEMA 2
 NEMA 3R WITH OPTIONAL KIT
 EFF. STANDARDS: NRCAN 2019, DOE 2016
 APPROVALS: UL, CSA

OUTLINE DRAWING



WIRING AND CONNECTION DIAGRAM

PRI VOLT	% TAPS	PRI LINE CONN	SEC VOLT	INTERCONNECT	SEC LINE CONN
456	95	H1-H2	240	X2 TO X3	X1 AND X4
468	97.5	H2-H3	120/240	X2 TO X3	X1-X2-X4
480	100	H3-H4	120	X1 TO X3	X1-X4
492	102.5	H4-H5		X2 TO X4	
504	105	H5-H6			



NOTE: Specifications and dimensions subject to change without notice