



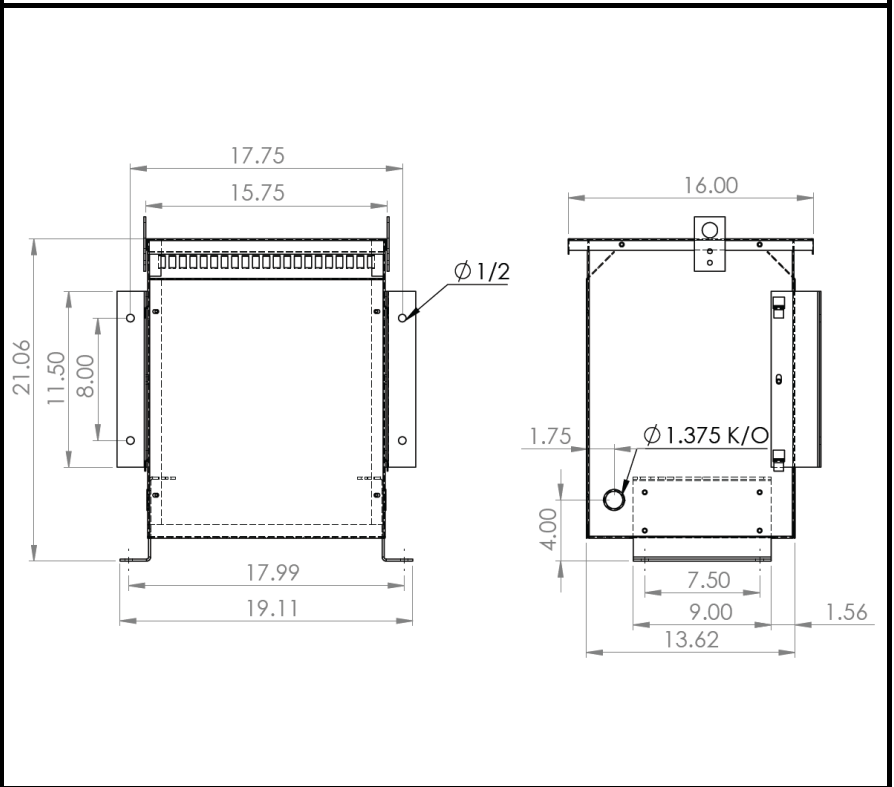
**BEAVER ELECTRICAL MACHINERY**  
 7440 LOWLAND DRIVE, BURNABY, BC, CANADA  
 TEL: (604) 431-5000 FAX: (604) 431-5066  
 www.beaverelectrical.com

**SVR SERIES  
 SPECIFICATION SHEET**

**1 PHASE ISOLATION TRANSFORMER  
 TYPE: DRY TYPE**

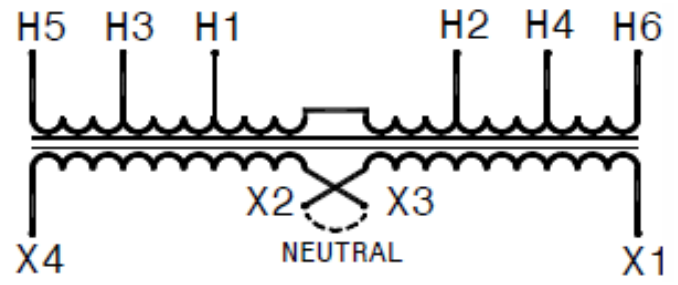
CAT. NO.: SVR15N-G8A3  
 KVA: 15  
 PRIMARY VOLT: 347  
 SECONDARY VOLT: 120/240  
 PHASE: 1  
 FREQ: 60 HZ  
 WEIGHT: 150 LBS  
 INSUL. CLASS: 220°C  
 TEMP. RISE: 150°C  
 IMPEDANCE: 6-7%  
 WINDING: ALUMINUM  
 ENCLOSURE: NEMA 2  
 NEMA 3R WITH OPTIONAL KIT  
 EFF. STANDARDS: NRCAN 2019, DOE 2016  
 APPROVALS: UL, CSA

**OUTLINE DRAWING**



**WIRING AND CONNECTION DIAGRAM**

PRI VOLT	% TAPS	PRI LINE CONN	SEC VOLT	INTERCONNECT	SEC LINE CONN
364	95	H1—H2	240	X2 TO X3	X1 AND X4
356	97.5	H2—H3	120/240	X2 TO X3	X1-X2-X4
347	100	H3—H4	120	X1 TO X3	X1-X4
338	102.5	H4—H5		X2 TO X4	
330	105	H5—H6			



NOTE: Specifications and dimensions subject to change without notice