

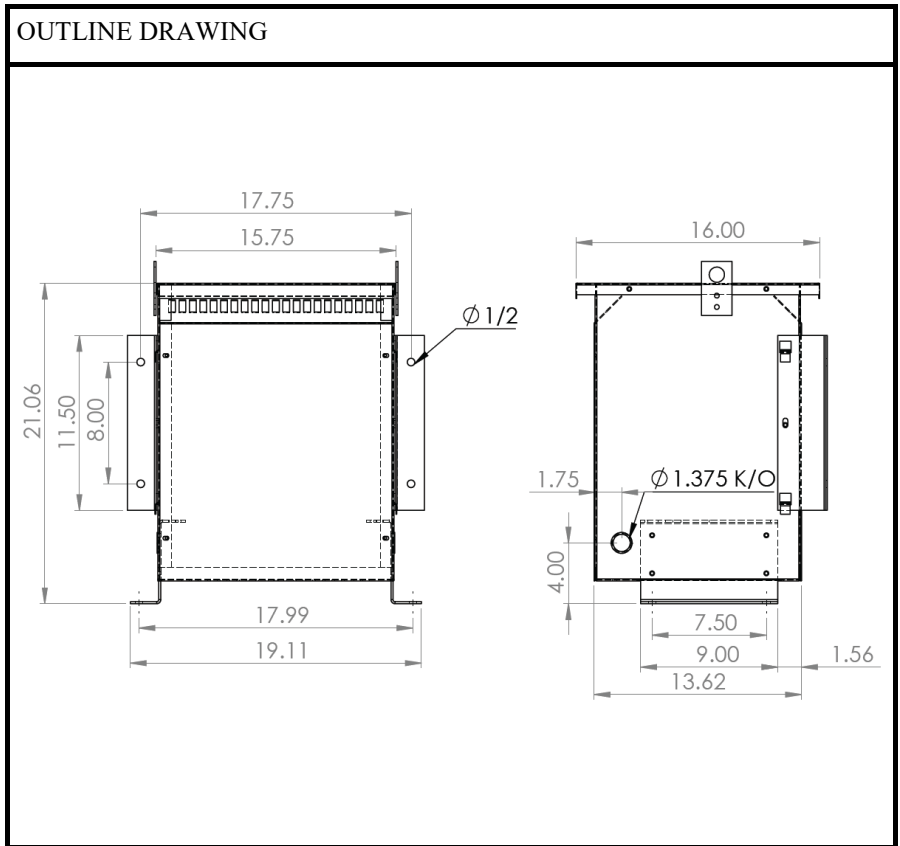


BEAVER ELECTRICAL MACHINERY
 7440 LOWLAND DRIVE, BURNABY, BC, CANADA
 TEL: (604) 431-5000 FAX: (604) 431-5066
 www.beaverelectrical.com

**SVR SERIES
 SPECIFICATION SHEET**

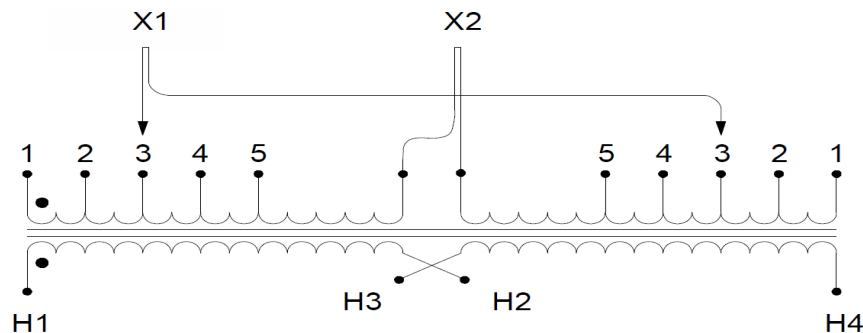
**1 PHASE ISOLATION TRANSFORMER
 TYPE: DRY TYPE**

CAT. NO.: SVR15K-G8A3
 KVA: 15
 PRIMARY VOLT: 240
 SECONDARY VOLT: 120/240
 PHASE: 1
 FREQ: 60 HZ
 WEIGHT: 155 LBS
 INSUL. CLASS: 220°C
 TEMP. RISE: 150°C
 IMPEDANCE: 5.0-6.0%
 WINDING: ALUMINUM
 ENCLOSURE: NEMA Type 2
 NEMA Type 3R with optional kit
 EFF. STANDARDS: NRCAN 2019, DOE 2016
 APPROVALS: UL, CSA



WIRING AND CONNECTION DIAGRAM

PRI VOLT	% TAPS	JUMPERS TO	SEC VOLT	INTERCONNECT	SEC LINE CONN
252	105.0	1-1	240	H2 TO H3	H1-H4
246	102.5	2-2	120/240	H2 TO H3	H1-H2-H4 (X2 IS A NEUTRAL)
240	100.0	3-3			
234	97.5	4-4	120	H1 TO H3	H1-H4
228	95.0	5-5		H2 TO H4	



NOTE: Specifications and dimensions subject to change without notice