

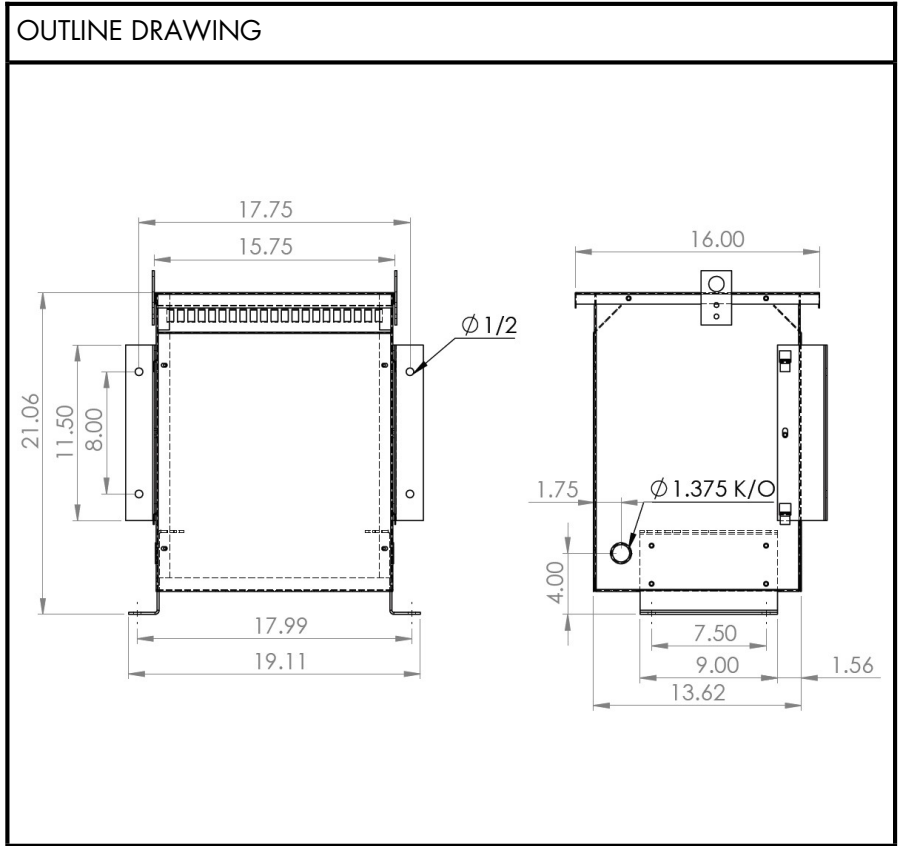


**BEAVER ELECTRICAL MACHINERY**  
 7440 LOWLAND DRIVE, BURNABY, BC, CANADA  
 TEL: (604) 431-5000 FAX: (604) 431-5066  
 www.beaverelectrical.com

**SVR SERIES  
 SPECIFICATION SHEET**

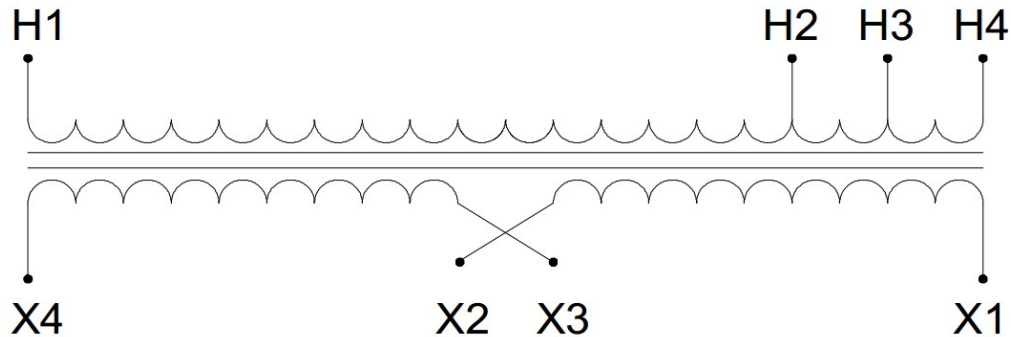
**1 PHASE ISOLATION TRANSFORMER  
 TYPE: DRY TYPE**

CAT. NO.: SVR10S-G8C  
 KVA: 10  
 PRIMARY VOLT: 480  
 SECONDARY VOLT: 120/240  
 PHASE: 1  
 FREQ: 60 HZ  
 WEIGHT: 110 LBS  
 INSUL. CLASS: 220°C  
 TEMP. RISE: 150°C  
 BIL: 10 KV  
 IMPEDANCE: 5.0 - 6.0%  
 WINDING: Copper  
 ENCLOSURE: NEMA Type 1  
                   NEMA Type 3R with optional kit  
 APPROVALS: UL, CSA



**WIRING AND CONNECTION DIAGRAM**

HI VOLT		LINES TO	LOW VOLT	INTERCONNECT	LINES TO
504		H1-H4	240	X2-X3	X1-X4
480		H1-H3	120	X1-X3 & X2-X4	X1-X4
456		H1-H2	120/240	X2-X3	X1-X2-X4 (X2 IS N)



**NOTE: Preliminary drawing only**  
 Specifications subject to change by engineering department