

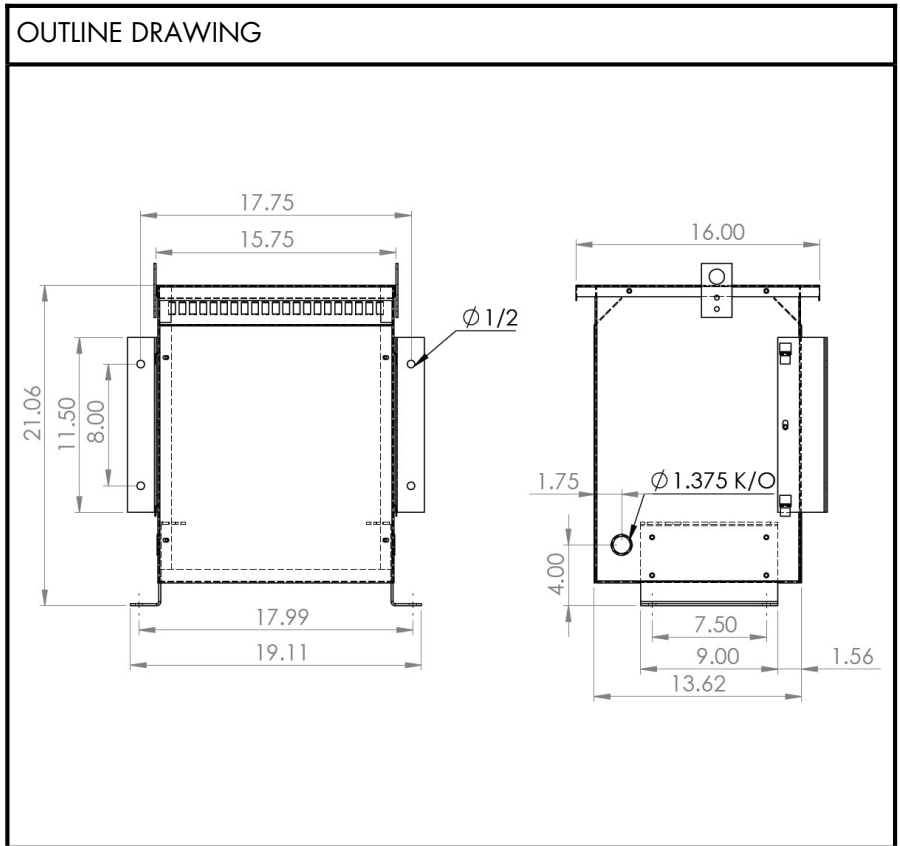


BEAVER ELECTRICAL MACHINERY
 7440 LOWLAND DRIVE, BURNABY, BC, CANADA
 TEL: (604) 431-5000 FAX: (604) 431-5066
 www.beaverelectrical.com

**SVR SERIES
 SPECIFICATION SHEET**

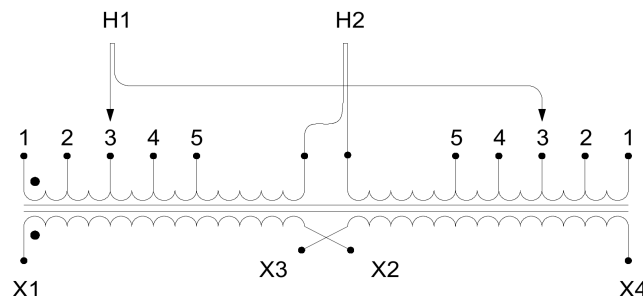
**1 PHASE ISOLATION TRANSFORMER
 TYPE: DRY TYPE**

CAT. NO.: SVR10N-G8C
 KVA: 10
 PRIMARY VOLT: 347
 SECONDARY VOLT: 120/240
 PHASE: 1
 FREQ: 60 HZ
 WEIGHT: 110 LBS
 INSUL. CLASS: 220°C
 TEMP. RISE: 150°C
 BIL: 10 KV
 IMPEDANCE: 5.0 - 6.0%
 WINDING: Copper
 ENCLOSURE: NEMA Type 1
 NEMA Type 3R with optional kit
 APPROVALS: UL, CSA



WIRING AND CONNECTION DIAGRAM

HI VOLT	% TAPS	JUMPERS TO	LOW VOLT	INTERCONNECT	SEC LINE CONN
364	105.0	1-1	240	X2 TO X3	X1 - X4
355	102.5	2-2	120/240	X2 TO X3	X1 - X2 - X4 (X2 IS A NEUTRAL)
347	100.0	3-3			
338	97.5	4-4	120	X1 TO X3 AND X2 TO X4	X1-X4
329	95.0	5-5			



NOTE: Specifications and dimensions subject to change without notice