

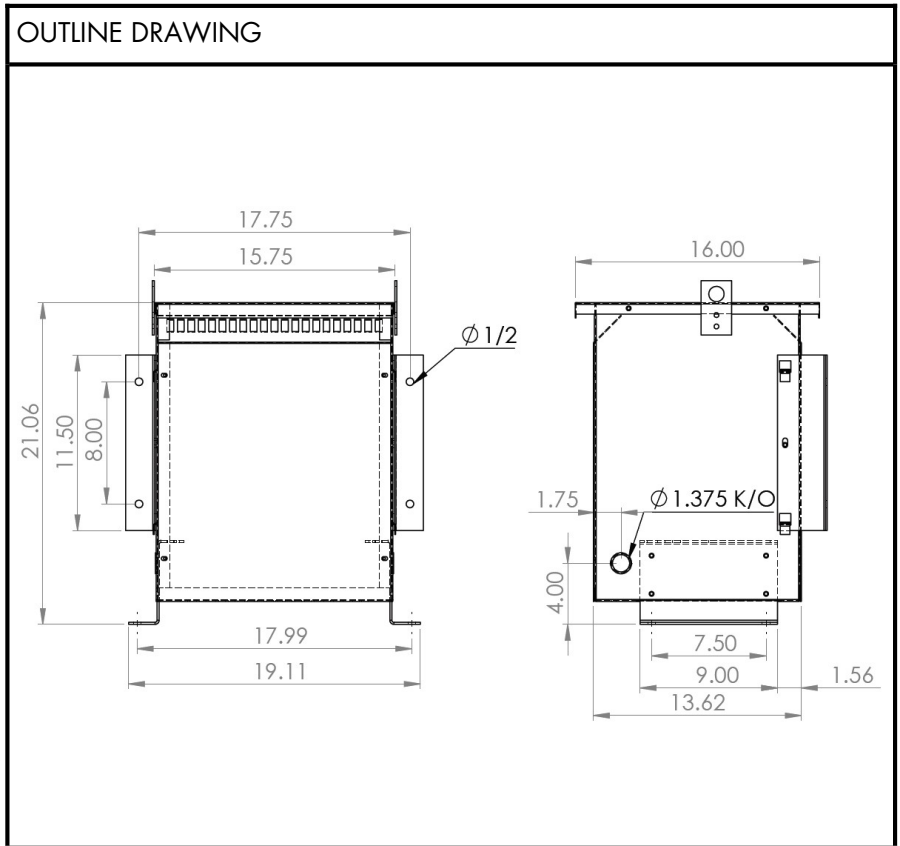


BEAVER ELECTRICAL MACHINERY
 7440 LOWLAND DRIVE, BURNABY, BC, CANADA
 TEL: (604) 431-5000 FAX: (604) 431-5066
 www.beaverelectrical.com

**SVR SERIES
 SPECIFICATION SHEET**

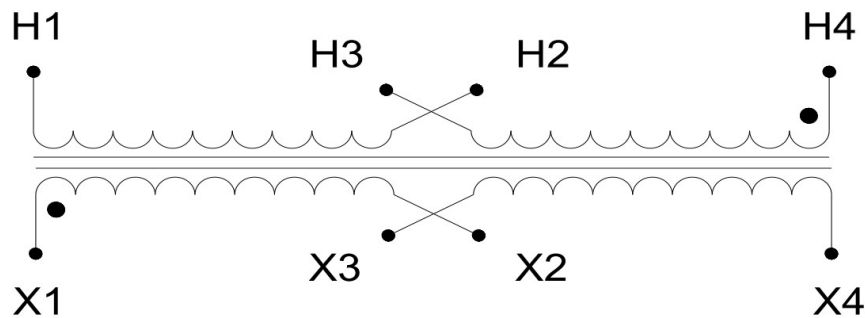
**1 PHASE ISOLATION TRANSFORMER
 TYPE: DRY TYPE**

CAT. NO.: SVR10G-G8C
 KVA: 10
 PRIMARY VOLT: 120/240
 SECONDARY VOLT: 120/240
 PHASE: 1
 FREQ: 60 HZ
 WEIGHT: 110 LBS
 INSUL. CLASS: 220°C
 TEMP. RISE: 150°C
 BIL: 10 KV
 IMPEDANCE: 6.0-7.0%
 WINDING: Copper
 ENCLOSURE: NEMA Type 2
 Type 3R with optional kit
 APPROVALS: UL, CSA



WIRING AND CONNECTION DIAGRAM

PRI VOLT	INTERCONNECT	SEC LINE CONN	SEC VOLT	INTERCONNECT	SEC LINE CONN
240	H2 TO H3	H1 AND H4	240	X2 TO X3	X1 AND X4
120	H1 TO H3 H2 TO H4	H1 AND H4	120	X1 TO X3 X2 TO X4	X1 AND X4
120/240	H2 TO H3	H1-H2-H4	120/240	X2 TO X3	X1-X2-X4



Specifications subject to change by Beaver engineering department