

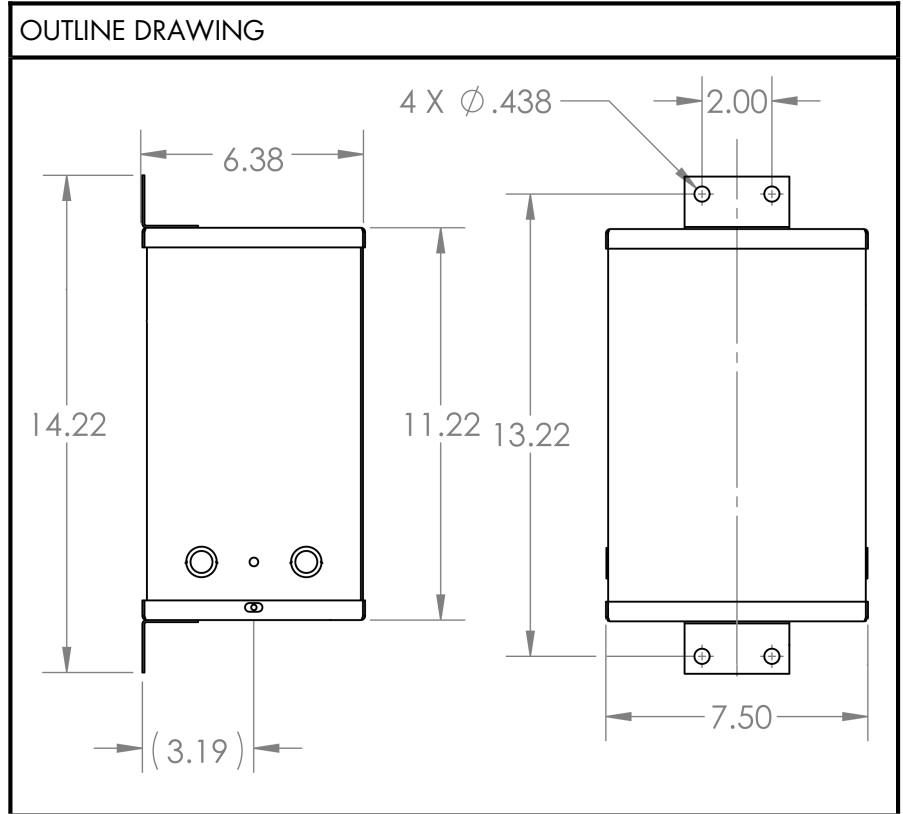


BEAVER ELECTRICAL MACHINERY
 7440 LOWLAND DRIVE, BURNABY, BC, CANADA
 TEL: (604) 431-5000 FAX: (604) 431-5066
 www.beaverelectrical.com

SER SERIES

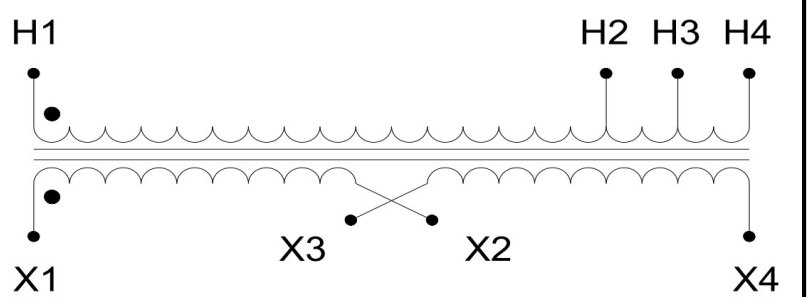
**1 PHASE ISOLATION TRANSFORMER
 TYPE: EPOXY ENCAPSULATED**

CAT. NO.: SER3N-G8C
 KVA: 3
 HIGH VOLT: 347
 LOW VOLT: 120/240
 PHASE: 1
 FREQ: 60 HZ
 WEIGHT: 29 LBS
 INSUL. CLASS: 200°C
 TEMP. RISE: 130°C
 IMPEDANCE: 2.5-3.5%
 WINDING: COPPER
 ENCLOSURE: NEMA 3R
 APPROVALS: UL, CSA



WIRING AND CONNECTION DIAGRAM

HI VOLT	% TAP	JUMPERS TO	LOW VOLT	INTERCONNECT	LINES TO
364	105.0	H1-H4	120	X1-X3 & X2-X4	X1-X4
347	100.0	H1-H3	240	X2-X3	X1-X4
330	95.0	H1-H2	120/240	X2-X3	X1-X2-X4



Specifications subject to change by Beaver engineering department