



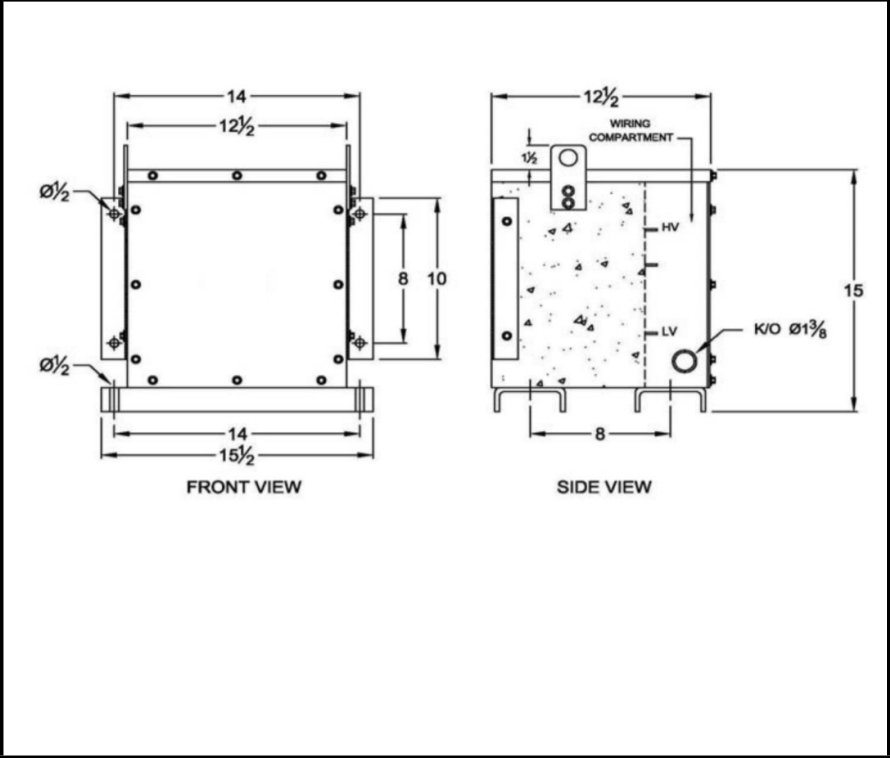
BEAVER ELECTRICAL MACHINERY
 7440 LOWLAND DRIVE, BURNABY, BC, CANADA
 TEL: (604) 431-5000 FAX: (604) 431-5066
 www.beaverelectrical.com

SER SERIES

**1 PHASE ISOLATION TRANSFORMER
 TYPE: EPOXY ENCAPSULATED**

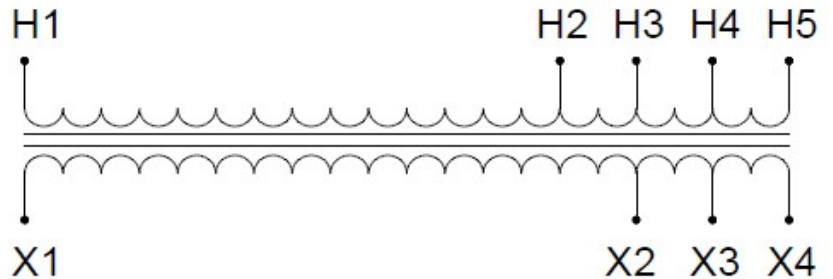
CAT. NO.: SER3HKST-HMN8C
 KVA: 3
 HIGH VOLT: 600/480/240/208
 LOW VOLT: 347/277/208
 PHASE: 1
 FREQ: 60 HZ
 WEIGHT: 100 LBS
 INSUL. CLASS: 180°C
 TEMP. RISE: 115°C
 IMPEDANCE: 2.5-3.5%
 WINDING: COPPER
 ENCLOSURE: NEMA 3R
 APPROVALS: UL, CSA

OUTLINE DRAWING



WIRING AND CONNECTION DIAGRAM

HI VOLT	JUMPERS TO	LOW VOLT	LINES TO
600	H1-H5	347	X1-X4
480	H1-H4	227	X1-X3
240	H1-H3	208	X1-X2
208	H1-H2		



Specifications subject to change by Beaver engineering department