

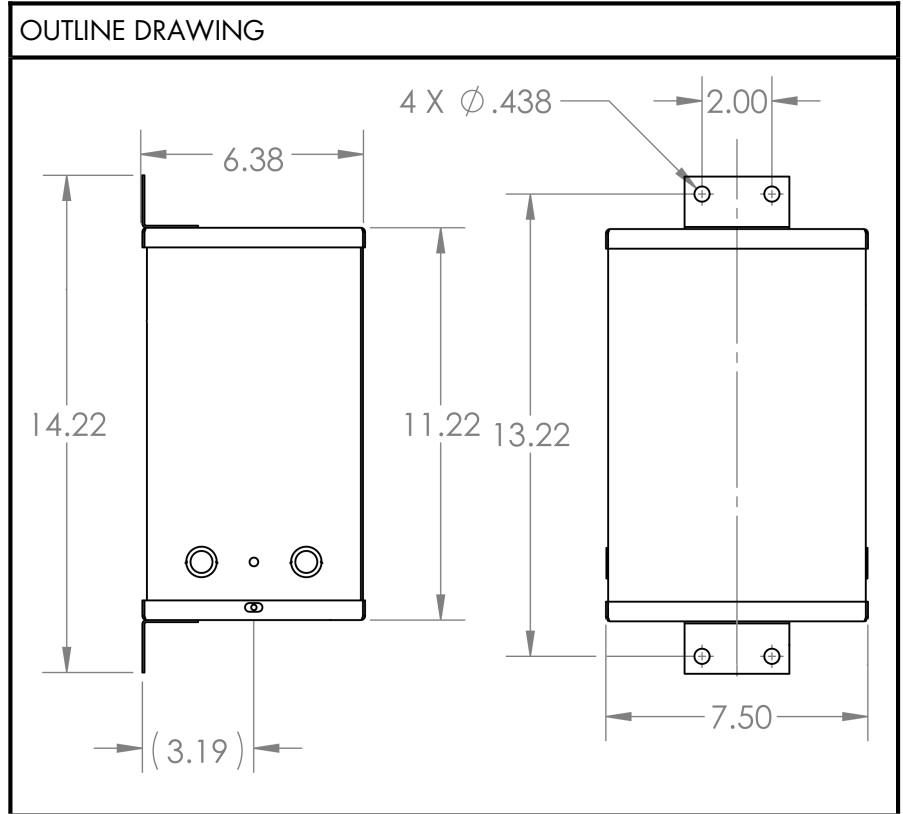


**BEAVER ELECTRICAL MACHINERY**  
 7440 LOWLAND DRIVE, BURNABY, BC, CANADA  
 TEL: (604) 431-5000 FAX: (604) 431-5066  
 www.beaverelectrical.com

**SER SERIES  
 DRAWINGS FOR APPROVAL**

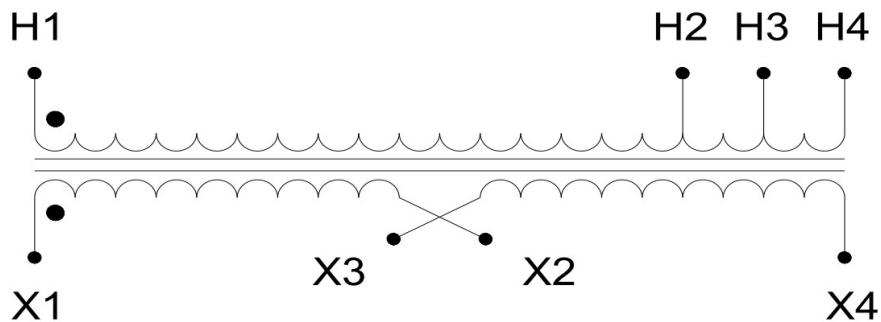
**1 PHASE ISOLATION TRANSFORMER  
 TYPE: EPOXY ENCAPSULATED**

CAT. NO.: SER2H-G8C  
 KVA: 2  
 HIGH VOLT: 208  
 LOW VOLT: 120/240  
 PHASE: 1  
 FREQ: 60 HZ  
 WEIGHT: 29 LBS  
 INSUL. CLASS: 200°C  
 TEMP. RISE: 130°C  
 IMPEDANCE: 2.5-3.5%  
 WINDING: COPPER  
 ENCLOSURE: NEMA 3R  
 APPROVALS: UL, CSA



**WIRING AND CONNECTION DIAGRAM**

HI VOLT	% TAP	JUMPERS TO	LOW VOLT	INTERCONNECT	LINES TO
218	105.0	H1-H4	120	X1-X3 & X2-X4	X1-X4
208	100.0	H1-H3	240	X2-X3	X1-X4
197	95.0	H1-H2	120/240	X2-X3	X1-X2-X4



For information only. Specifications and dimensions may not reflect our final design.