



BEAVER ELECTRICAL MACHINERY

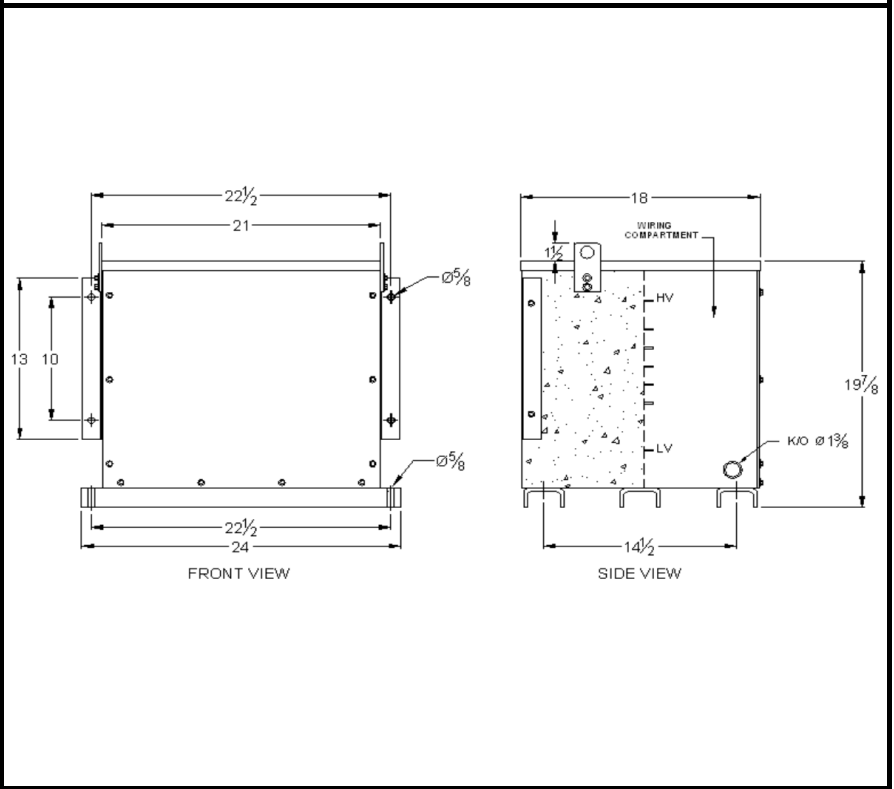
7440 LOWLAND DRIVE, BURNABY, BC, CANADA
 TEL: (604) 431-5000 FAX: (604) 431-5066
 www.beverelectrical.com

**SER SERIES
 SPECIFICATION SHEET**

**1 PHASE ISOLATION TRANSFORMER
 TYPE: EPOXY ENCAPSULATED**

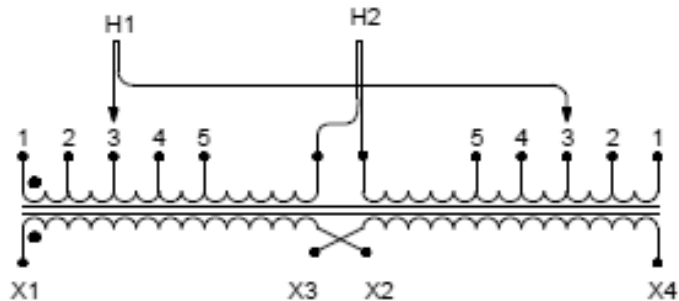
CAT. NO.: SER25T-G8A
 KVA: 25
 HIGH VOLT: 600
 LOW VOLT: 120/240
 PHASE: 1
 FREQ: 60 HZ
 WEIGHT: 480 LBS
 INSUL. CLASS: 200°C
 TEMP. RISE: 130°C
 IMPEDANCE: 3.0-4.0%
 WINDING: Aluminum
 ENCLOSURE: NEMA 3R
 APPROVALS: UL, CSA

OUTLINE DRAWING



WIRING AND CONNECTION DIAGRAM

PRI VOLT	% TAPS	PRI LINE CONN	SEC VOLT	INTERCONNECT	SEC LINE CONN
630	105.0	1-1	240	X2 TO X3	X1 AND X4
615	102.5	2-2	120/240	X2 TO X3	X1-X2-X4
600	100.0	3-3	120	X1 TO X3	X1-X4
585	97.5	4-4		X2 TO X4	
570	95.0	5-5			



NOTE: Preliminary drawing only

Specifications and dimensions subject to correction by Beaver's engineering department