

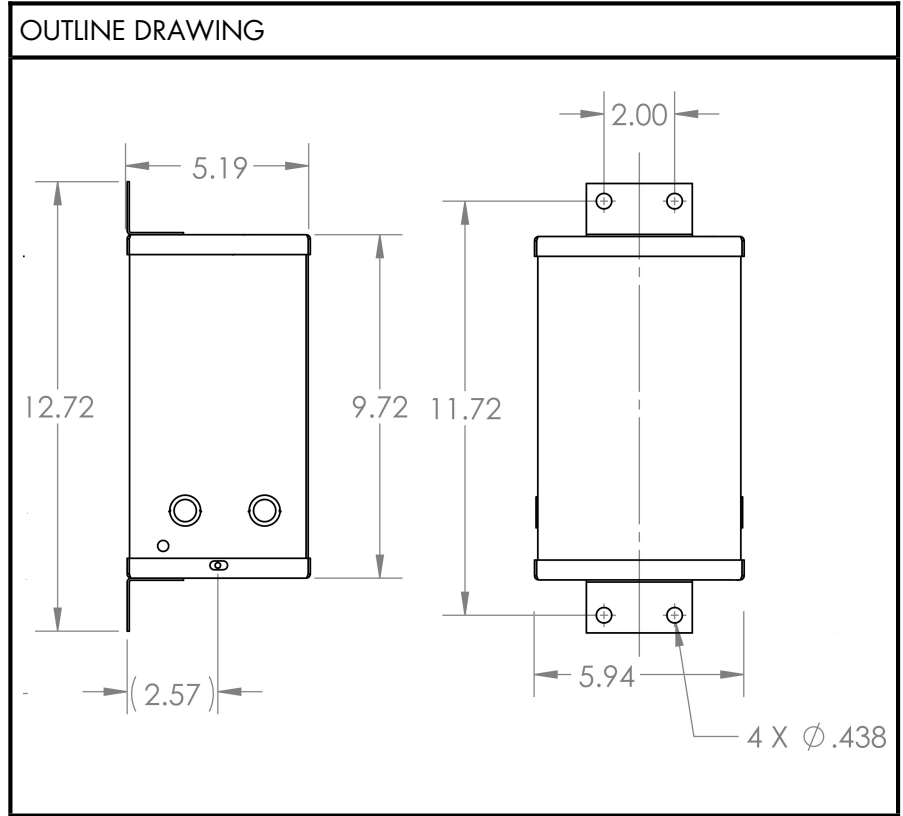


BEAVER ELECTRICAL MACHINERY
 7440 LOWLAND DRIVE, BURNABY, BC, CANADA
 TEL: (604) 431-5000 FAX: (604) 431-5066
 www.beaverelectrical.com

**SER SERIES
 DRAWINGS FOR APPROVAL**

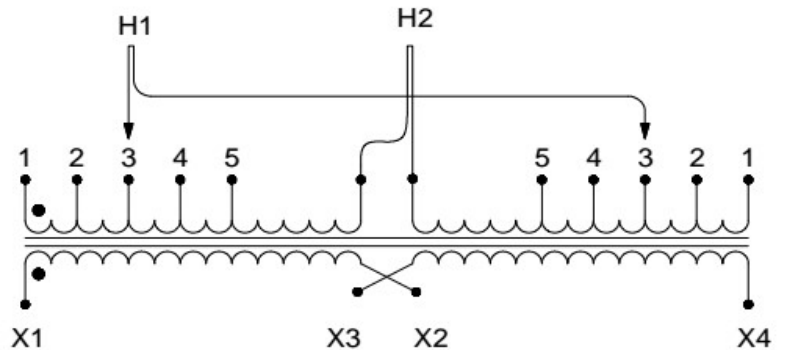
**1 PHASE ISOLATION TRANSFORMER
 TYPE: EPOXY ENCAPSULATED**

CAT. NO.: SER1S-G8C
 KVA: 1
 HIGH VOLT: 480
 LOW VOLT: 120/240
 PHASE: 1
 FREQ: 60 HZ
 WEIGHT: 29 LBS
 INSUL. CLASS: 200°C
 TEMP. RISE: 130°C
 IMPEDANCE: 2.5-3.5%
 WINDING: COPPER
 ENCLOSURE: NEMA 3R
 APPROVALS: UL, CSA



WIRING AND CONNECTION DIAGRAM

HI VOLT	% TAP	JUMPERS TO	LOW VOLT	INTERCONNECT	LINES TO
504	105.0	1-1	120	X1-X3 & X2-X4	X1-X4
492	102.5	2-2	240	X2-X3	X1-X4
480	100.0	3-3	120/240	X2-X3	X1-X2-X4
468	97.5	4-4			
456	95.0	5-5			



For information only. Specifications and dimensions may not reflect our final design.