

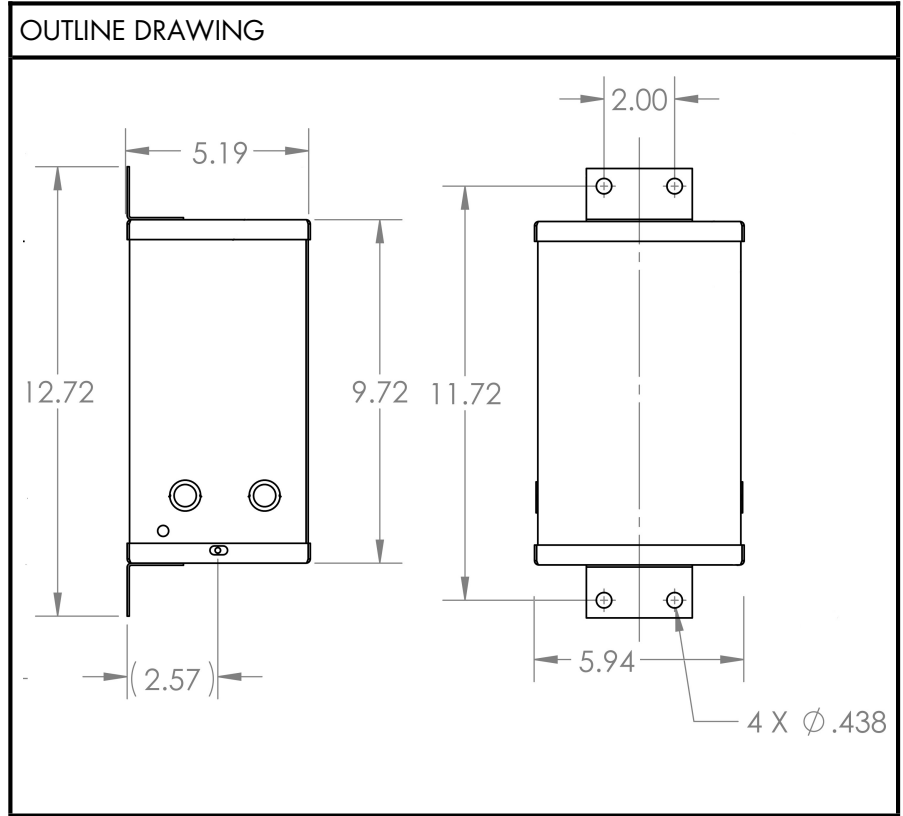


**BEAVER ELECTRICAL MACHINERY**  
 7440 LOWLAND DRIVE, BURNABY, BC, CANADA  
 TEL: (604) 431-5000 FAX: (604) 431-5066  
 www.beaverelectrical.com

**SER SERIES  
 DRAWINGS FOR APPROVAL**

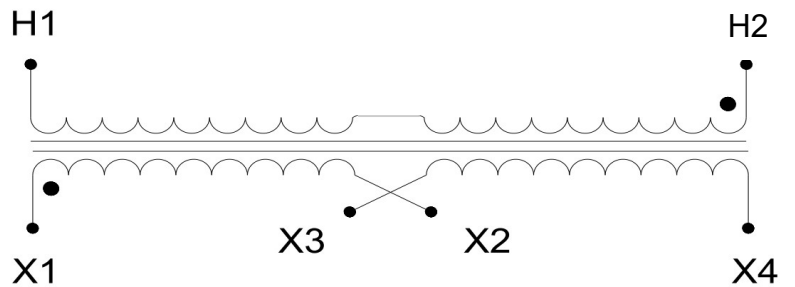
**1 PHASE ISOLATION TRANSFORMER  
 TYPE: EPOXY ENCAPSULATED**

CAT. NO.: SER1N-G8C  
 KVA: 1  
 HIGH VOLT: 347  
 LOW VOLT: 120/240  
 PHASE: 1  
 FREQ: 60 HZ  
 WEIGHT: 20 LBS  
 INSUL. CLASS: 200°C  
 TEMP. RISE: 130°C  
 IMPEDANCE: 2.5-3.5%  
 WINDING: Copper  
 ENCLOSURE: NEMA 3R  
 APPROVALS: UL, CSA



**WIRING AND CONNECTION DIAGRAM**

HI VOLT	% TAP	JUMPERS TO	LOW VOLT	INTERCONNECT	LINES TO
347	100	H1-H2	120	X1-X3 & X2-X4	X1-X4
			240	X2-X3	X1-X4
			120/240	X2-X3	X1-X2-X4



Signed drawing must be returned to Beaver's engineering department before order will be processed.