

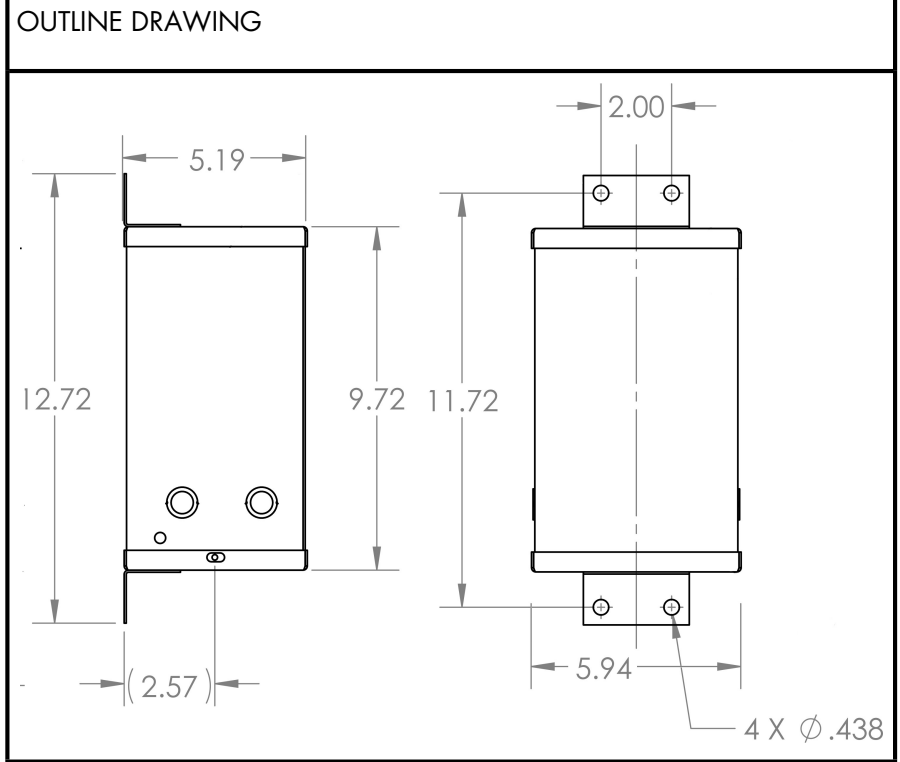


BEAVER ELECTRICAL MACHINERY
 7440 LOWLAND DRIVE, BURNABY, BC, CANADA
 TEL: (604) 431-5000 FAX: (604) 431-5066
 www.beaverelectrical.com

SER SERIES

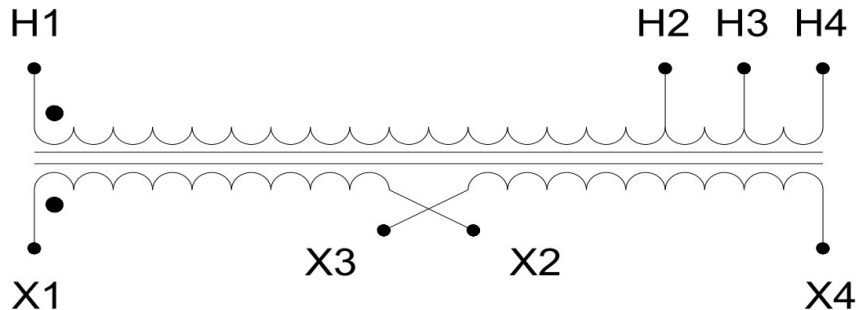
**1 PHASE ISOLATION TRANSFORMER
 TYPE: EPOXY ENCAPSULATED**

CAT. NO.: SER1FHK-G8C
 KVA: 1
 HIGH VOLT: 120/208/240
 LOW VOLT: 120/240
 PHASE: 1
 FREQ: 60 HZ
 WEIGHT: 22 LBS
 INSUL. CLASS: 180°C
 TEMP. RISE: 115°C
 IMPEDANCE: 2.5-3.5%
 WINDING: COPPER
 ENCLOSURE: NEMA Type 2
 APPROVALS: UL, CSA



WIRING AND CONNECTION DIAGRAM

| HI VOLT | INTERCONNECT | LOW VOLT | INTERCONNECT | SEC LINE CONN |
|---------|--------------|----------|----------------------|---------------|
| 120 | H1-H2 | 240 | X2 TO X3 | X1-X4 |
| 208 | H1-H3 | 120/240 | X2 TO X3 | X1-X2-X4 |
| 240 | H1-H4 | 120 | X1 TO X3 X2 TO X4 | X1-X4 |



NOTE: Specifications and dimensions subject to change without notice