

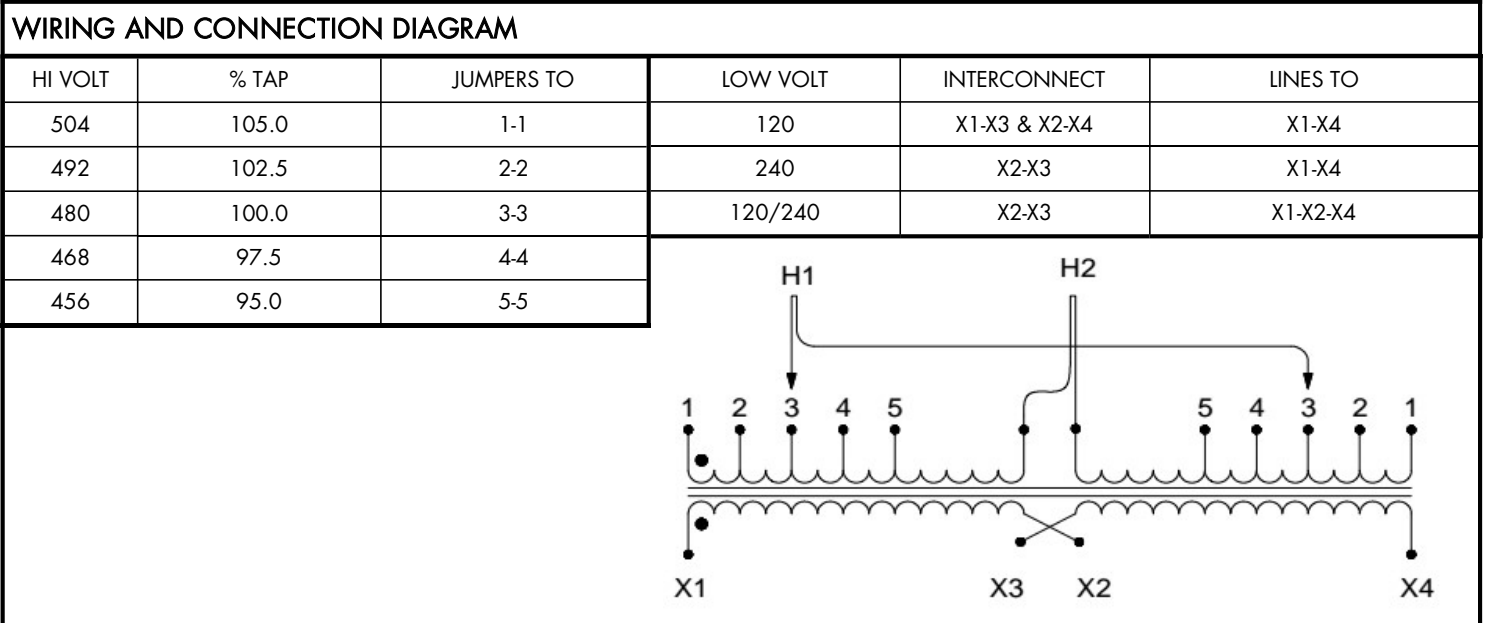
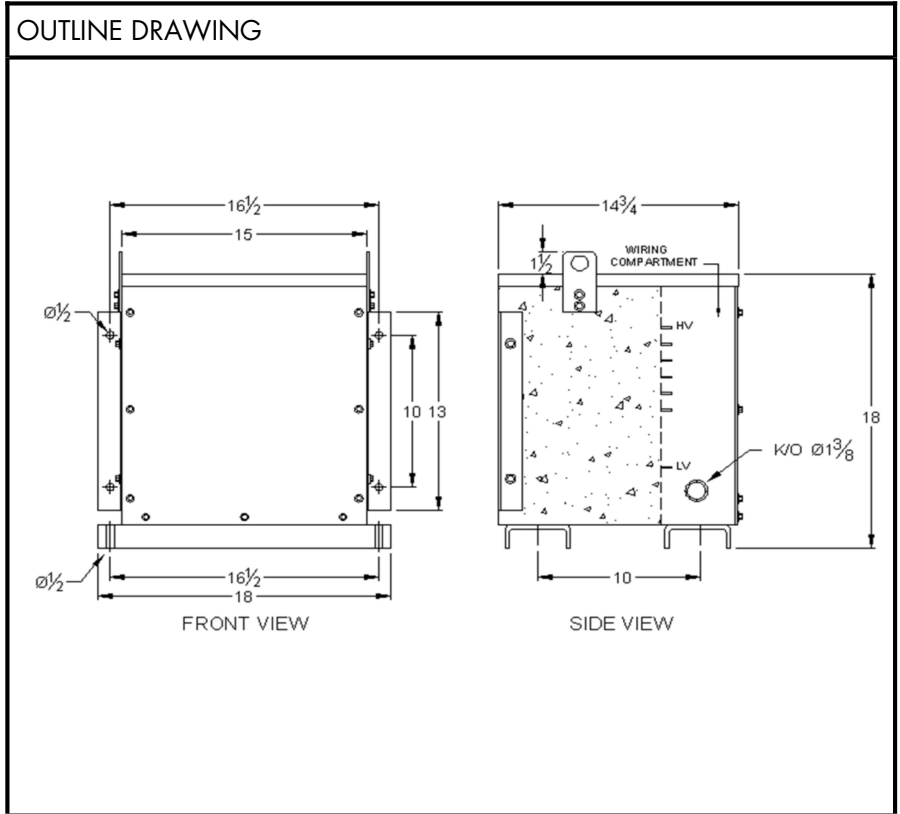


BEAVER ELECTRICAL MACHINERY
 7440 LOWLAND DRIVE, BURNABY, BC, CANADA
 TEL: (604) 431-5000 FAX: (604) 431-5066
 www.beaverelectrical.com

**SER SERIES
 SPECIFICATION SHEET**

**1 PHASE ISOLATION TRANSFORMER
 TYPE: EPOXY ENCAPSULATED**

CAT. NO.: SER15S-G8C
 KVA: 15
 HIGH VOLT: 480
 LOW VOLT: 120/240
 PHASE: 1
 FREQ: 60 HZ
 WEIGHT: 280 LBS
 INSUL. CLASS: 200°C
 TEMP. RISE: 130°C
 IMPEDANCE: 2.5-3.5%
 WINDING: Copper
 ENCLOSURE: NEMA 3R
 APPROVALS: UL, CSA



For information only. Specifications and dimensions may not reflect our final design.