



Model MTP90LA2F-01
MFG PN: TAX90L-2-F

Model **MTP90LA2F-01**

Product Data Package

MODEL	HP	RPM	VOLTAGE	PHASE	Hz	FRAME	MOUNT	ENCLOSURE
MTP90LA2F-01	3.00	3490	575	3	60	90L	B3	TEFC

Toronto

TOLL FREE 1.888.286.1820
PHONE 905.829.1001
FAX 905.829.6600
EMAIL info@techtopcanada.com



Montreal

TOLL FREE 1.844.354.5111
PHONE 514.354.1002
FAX 514.354.1102
EMAIL infoQC@techtopcanada.com



Moncton

PHONE 506.386.5794
FAX 506.386.6643
EMAIL infoNB@techtopcanada.com

Winnipeg

PHONE 204.633.2779
FAX 204.633.3612
EMAIL infoMB@techtopcanada.com

Vancouver

PHONE 604.525.1551
FAX 604.525.7800
EMAIL infoBC@techtopcanada.com

Index

Motor General Data Sheet	P 2
Nameplate Information	P 3
Technical Performance Data	P 4
Motor General Wiring Diagram	P 5
Motor General Outline Drawing	P 6



Model MTP90LA2F-01
MFG PN: TAX90L-2-F

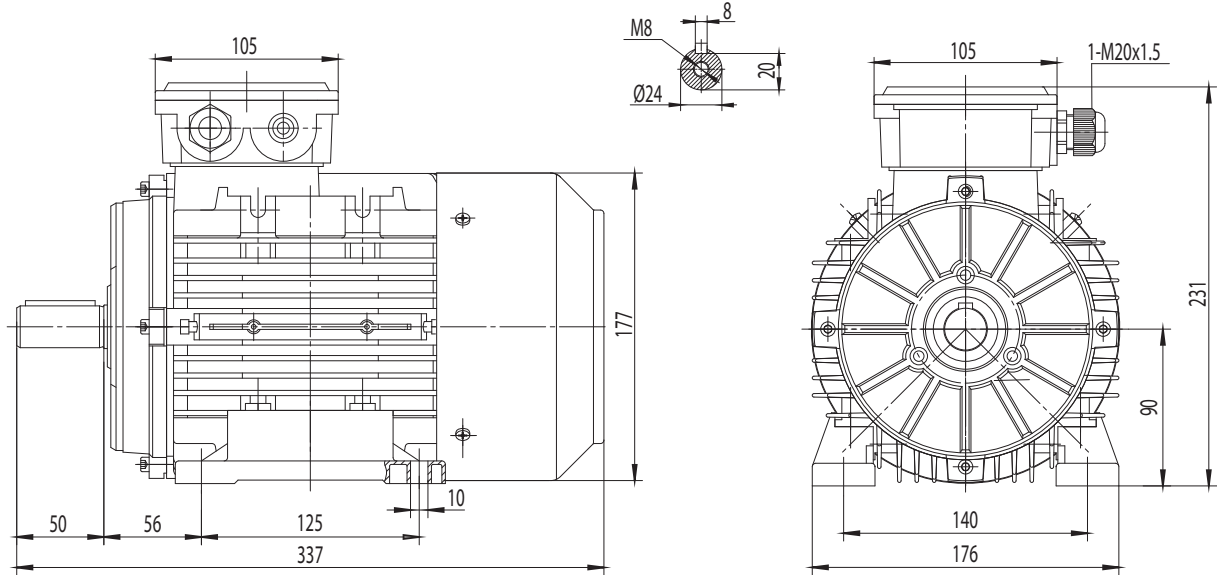
ELECTRICAL DATA		
Rated Motor Output Power	3	HP
	2.2	kW
Rated Motor Speed	3490	r/min 60Hz
	-	r/min 50Hz
Rated Motor Voltage (+/-10%)	575	V/60Hz
	-	V/50Hz
Rated Motor Current	2.90	A (I _n) @ 60Hz
	-	A (I _n) @ 50Hz
Phase	3	∅
Locked Rotor Current @ High Voltage	-	A (I _n) @ 60Hz
FI Current @ 208V	-	A (I _n) @ 60Hz
Service Factor	1.15	@ 60Hz
	1	@ 50Hz
KVA Code	K	60Hz
	-	50Hz
Nominal Efficiency	86.5	% @ 60Hz
Nominal Power Factor	0.88	cosΦ @ 60Hz
Leads (Qty, Size)	6	-
Connection	Y	-
Coil Resistance	-	Ω
Start Capacitor	-	μF/V
Run Capacitor	-	μF/V
VFD DUTY (S.F. 1.0)	RATIO	Hz
Variable Torque	30:1	2 - 60
Constant Torque	15:1	4 - 60
FULL LOAD TEMPERATURE RISE		
Full Load Temperature Rise	-	°C @ 60Hz
	-	°C @ 50Hz

GENERAL DATA		
Frame Size	90L	
Enclosure	TEFC	
Mounting	B3	
Approximate Weight (lbs.)	34 lbs.	
Casing Material / Fan Cover	Cast Aluminum	Steel
Shaft Material	1045	
NEMA Design	-	
Degree of Protection (IP)	55	
Insulation Class / Temp Rise (60Hz)	F	B
Tropicalization	YES	
Duty	Cont. / S1	
Conduit Box Location	1-M20X1.5	
Feet Removable / Double Drilled	YES	NO
Paintwork	7024	
	Graphite Gray	
MECHANICAL DATA		
Bearing DE Side	6205ZZ	
Bearing ODE Side	6205ZZ	
Grease Type	Mobil Polyrex EM	
Compensation Ring (wavy washer)	NDE	
Moment of Inertia (lb-ft ²)	-	
Sound Pressure @ 3 FT dBA	-	
SITE CONDITIONS		
Ambient Temperature (°C)	40	
Meters Above Sea Level (MASL)	1000	
HAZARDOUS LOCATIONS		
CSA Certified	Compliant Only	
Temperature Code	-	-

Questions? Call 1.888.286.1820



Model MTP90LA2F-01
MFG PN: TAX90L-2-F



NAMEPLATE DATA	60Hz	50Hz
HP/kW	3/2.2	3/2.2
RPM	3490	-
Voltage	575	-
Full Load Amps	2.90	-
Service Factor	1.15	1
KVA Code	K	-
Full Load Amps (208V)	-	-
Nominal Efficiency	86.5	-
Nominal Power Factor	0.88	-
Design	-	
Frame	90L	
Enclosure Type	TEFC	
IP Rating	55	
Duty	Cont. / S1	
Insulation Class	F	
Ambient Rating	40	
Drive End Bearing	6205ZZ	
Opposite Drive End Bearing	6205ZZ	
Weight (lbs)	34	

NAMEPLATE LAYOUT		
INDUSTRIAL THREE PHASE MOTOR INVERTER DUTY 15:1 CT 30:1 VT - 1.0 SF		
MODEL	MFG PN	
60Hz	50Hz	MFG DATE
HP/KW		SER #
RPM		DESIGN
VOLT		FRAME
FLA		ENCL / IP
SF		TEFC 55
KVA CODE		DUTY
NOM.EFF		INS CL
EFF 75%		AMB
PF		DE
USABLE AT 208V		ODE
		WEIGHT
		lbs
IEC CLASS 1, DIV 2, GROUPS A, B, C AND D COMPLIANT NEMA Premium® TECHTOPCANADA.COM MADE IN CHINA Energy Verified Only		

VFD DUTY (S.F. 1.0)	RATIO	Hz*
Variable Torque	30:1	2 - 60
Constant Torque	15:1	4 - 60

*For max speed please contact Techtop Canada

HAZARDOUS LOCATIONS	COMPLIANT ONLY	
Class / Division	I	II
Groups	A, B, C and D	

Questions? Call 1.888.286.1820



Model MTP90LA2F-01
 MFG PN: TAX90L-2-F

PERFORMANCE LOAD VALUES, HIGH VOLTAGE, 60Hz

TYPICAL PERFORMANCE - NOT GUARANTEED VALUES

TORQUE VALUES	TORQUE (lb-ft)	TORQUE (% FULL LOAD)	PERFORMANCE VALUES	
Locked Rotor Torque	-	-	Start Configuration	DOL
Pull-Up Torque	-	-	Starting Current (A)	-
Breakdown Torque	-	-	No-Load Current (A)	-
Full Load Torque	-	-	No-Load Power Factor	-

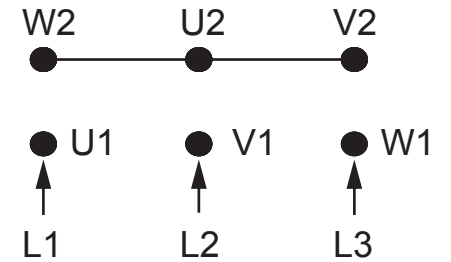
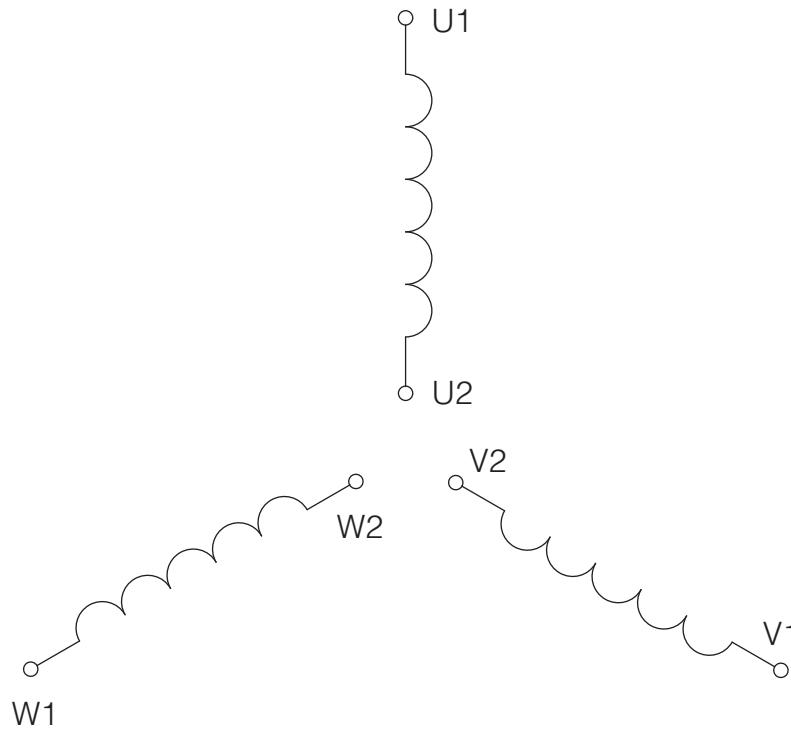
% OF RATED LOAD	25	50	75	100	125	S.F. 1.25
Line Amperes (A)	-	-	-	-	-	-
Efficiency (%)	-	-	-	-	-	-
Speed (r/min)	-	-	-	-	-	-
Power Factor (cosΦ)	-	-	-	-	-	-
Input Power (kW)	-	-	-	-	-	-

Questions? Call 1.888.286.1820



Model MTP90LA2F-01

MFG PN: TAX90L-2-F



SINGLE VOLTAGE

NOTES:

1. CCW ROTATION FACING ODE FOR CONNECTIONS SHOWN
2. TO REVERSE ROTATION, SWAP ANY TWO INPUT LINES
3. WHEN MOTOR IS IN F1 POSITION, LEADS INDICATED WITH "*" EXIT THE CASING ABOVE THE CENTER LINE OF THE MOTOR, THE REMAINING LEADS EXIT BELOW THE CENTER LINE
4. LEADS MUST BE NUMBERED AND COLORED AS SHOWN
5. DIAGRAMS FOR REFERENCE ONLY



IEC 3Ø Y 6-Lead/6-Post Single Voltage

DRAWING NUMBER:

IEC-3-6-Y

CONNECTION:

Y

NUMBER OF LEADS:

6

THERMAL PROTECTION:

Optional

ISSUED DATE

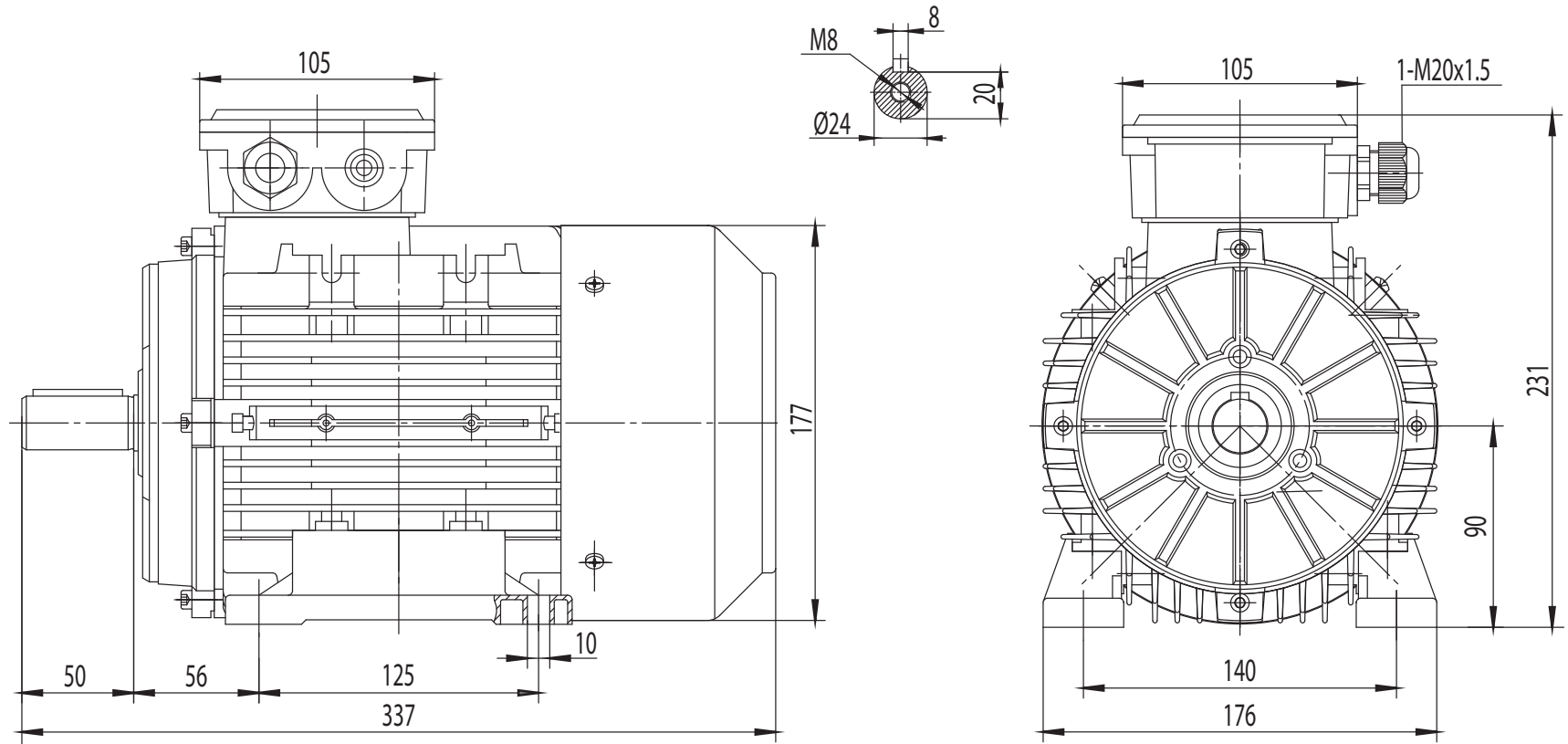
17/23/20

METRIC IE3 PREMIUM MOTORS



Model MTP90LA2F-01

MFG PN: TAX90L-2-F



IE3 TEFC 90L

DRAWING NUMBER:

GR3-AL-TF-90LB3-01

ISSUED DATE

17/23/20

DIMENSIONS:

mm

MOUNTING:

B3

CASING MATERIAL:

Cast Aluminum

METRIC IE3 PREMIUM MOTORS