



**Model MTP71B4F**  
MFG PN: TM712-4-F

# Model **MTP71B4F**

## Product Data Package

MODEL	HP	RPM	VOLTAGE	PHASE	Hz	FRAME	MOUNT	ENCLOSURE
MTP71B4F	0.50	1690	575	3	60	71	B3	TEFC

### Toronto

TOLL FREE 1.888.286.1820  
PHONE 905.829.1001  
FAX 905.829.6600  
EMAIL info@techttopcanada.com



### Montreal

TOLL FREE 1.844.354.5111  
PHONE 514.354.1002  
FAX 514.354.1102  
EMAIL infoQC@techttopcanada.com



### Moncton

PHONE 506.386.5794  
FAX 506.386.6643  
EMAIL infoNB@techttopcanada.com

### Winnipeg

PHONE 204.633.2779  
FAX 204.633.3612  
EMAIL infoMB@techttopcanada.com

### Vancouver

PHONE 604.525.1551  
FAX 604.525.7800  
EMAIL infoBC@techttopcanada.com

### Index

Motor General Data Sheet	P 2
Nameplate Information	P 3
Technical Performance Data	P 4
Motor General Wiring Diagram	P 5
Motor General Outline Drawing	P 6



**Model MTP71B4F**  
**MFG PN: TM712-4-F**

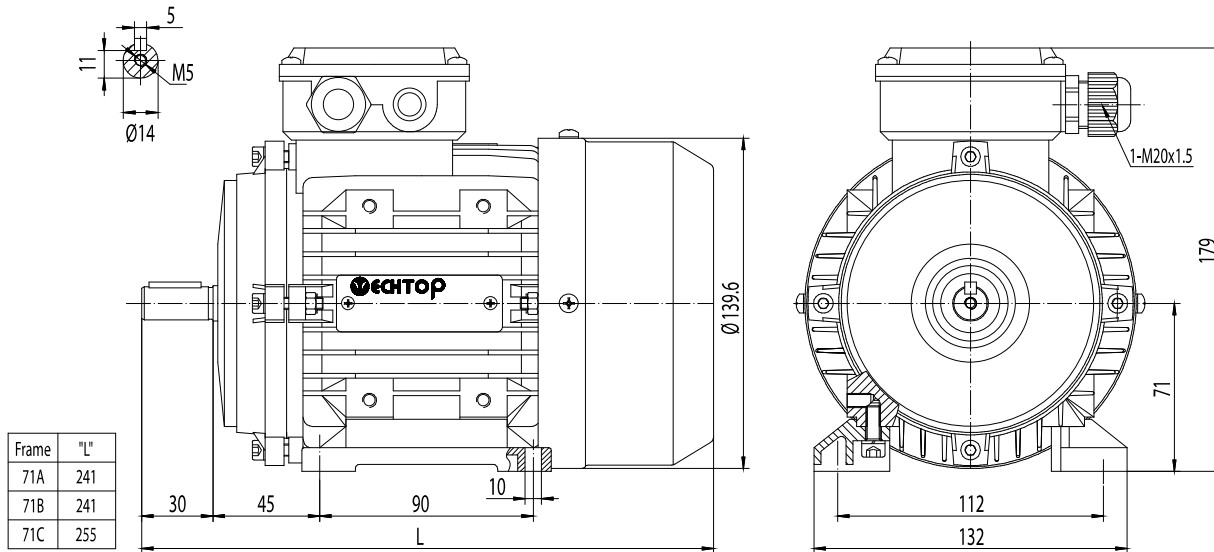
ELECTRICAL DATA		
Rated Motor Output Power	0.5	HP
	0.37	kW
Rated Motor Speed	1690	r/min 60Hz
	-	r/min 50Hz
Rated Motor Voltage (+/-10%)	575	V/60Hz
	-	V/50Hz
Rated Motor Current	0.75	A (I <sub>n</sub> ) @ 60Hz
	-	A (I <sub>n</sub> ) @ 50Hz
Phase	3	∅
Locked Rotor Current @ High Voltage	-	A (I <sub>n</sub> ) @ 60Hz
FI Current @ 208V	-	A (I <sub>n</sub> ) @ 60Hz
Service Factor	1.15	@ 60Hz
	1	@ 50Hz
KVA Code	J	60Hz
	-	50Hz
Nominal Efficiency	72.5	% @ 60Hz
Nominal Power Factor	0.68	cosΦ @ 60Hz
Leads (Qty, Size)	6	-
Connection	Y	-
Coil Resistance	-	Ω
Start Capacitor	-	μF/V
Run Capacitor	-	μF/V
VFD DUTY (S.F. 1.0)		
	RATIO	Hz
Variable Torque	10:1	6 - 60
Constant Torque	4:1	12 - 60
FULL LOAD TEMPERATURE RISE		
Full Load Temperature Rise	-	°C @ 60Hz
	-	°C @ 50Hz

GENERAL DATA		
Frame Size	71	
Enclosure	TEFC	
Mounting	B3	
Approximate Weight (lbs.)	12.7 lbs.	
Casing Material / Fan Cover	Cast Aluminum	Steel
Shaft Material	1045	
NEMA Design	-	
Degree of Protection (IP)	55	
Insulation Class / Temp Rise (60Hz)	F	B
Tropicalization	YES	
Duty	Cont. / S1	
Conduit Box Location	1-M20X1.5	
Feet Removable / Double Drilled	YES	NO
Paintwork	7024	
	Graphite Gray	
MECHANICAL DATA		
Bearing DE Side	6202ZZ	
Bearing ODE Side	6202ZZ	
Grease Type	Mobil Polyrex EM	
Compensation Ring (wavy washer)	NDE	
Moment of Inertia (lb-ft <sup>2</sup> )	-	
Sound Pressure @ 3 FT dBA	-	
SITE CONDITIONS		
Ambient Temperature (°C)	40	
Meters Above Sea Level (MASL)	1000	
HAZARDOUS LOCATIONS		
CSA Certified	Compliant Only	
Temperature Code	-	-

**Questions? Call 1.888.286.1820**



**Model MTP71B4F**  
**MFG PN: TM712-4-F**



NAMEPLATE DATA	60Hz	50Hz
HP/kW	0.5/0.37	0.5/0.37
RPM	1690	-
Voltage	575	-
Full Load Amps	0.75	-
Service Factor	1.15	1
KVA Code	J	-
Full Load Amps (208V)	-	-
Nominal Efficiency	72.5	-
Nominal Power Factor	0.68	-
Design	-	
Frame	71	
Enclosure Type	TEFC	
IP Rating	55	
Duty	Cont. / S1	
Insulation Class	F	
Ambient Rating	40	
Drive End Bearing	6202ZZ	
Opposite Drive End Bearing	6202ZZ	
Weight (lbs)	12.7	

**NAMEPLATE LAYOUT**

TECHTOP INDUSTRIAL THREE PHASE MOTOR  
 INVERTER DUTY 4:1 CT 10:1 VT - 1.0 SF

MODEL: \_\_\_\_\_ MFG PN: \_\_\_\_\_  
 60Hz 50Hz MFG DATE: \_\_\_\_\_  
 HP/kW \_\_\_\_\_ SER # \_\_\_\_\_  
 RPM \_\_\_\_\_ DESIGN \_\_\_\_\_  
 VOLT \_\_\_\_\_ FRAME \_\_\_\_\_  
 FLA \_\_\_\_\_ ENCL / IP TEFC 55  
 SF \_\_\_\_\_ DUTY \_\_\_\_\_  
 KVA CODE \_\_\_\_\_ INS CL \_\_\_\_\_  
 NOM.EFF \_\_\_\_\_ AMB \_\_\_\_\_  
 EFF 75% \_\_\_\_\_ DE \_\_\_\_\_  
 PF \_\_\_\_\_ ODE \_\_\_\_\_  
 USABLE AT 208V \_\_\_\_\_ WEIGHT \_\_\_\_\_ lbs  
 A TECHTOPCANADA.COM  
 CLASS 1, DIV 2, GROUPS A, B, C AND D COMPLIANT MADE IN CHINA

VFD DUTY (S.F. 1.0)	RATIO	Hz*
Variable Torque	10:1	6 - 60
Constant Torque	4:1	12 - 60

\*For max speed please contact Techtop Canada

HAZARDOUS LOCATIONS	COMPLIANT ONLY	
Class / Division	I	II
Groups	A, B, C and D	

**Questions? Call 1.888.286.1820**



**Model MTP71B4F**  
 MFG PN: TM712-4-F

**PERFORMANCE LOAD VALUES, HIGH VOLTAGE, 60Hz**

**TYPICAL PERFORMANCE - NOT GUARANTEED VALUES**

TORQUE VALUES	TORQUE (lb-ft)	TORQUE (% FULL LOAD)	PERFORMANCE VALUES	
Locked Rotor Torque	4.99508755	320	Start Configuration	DOL
Pull-Up Torque	-	-	Starting Current (A)	-
Breakdown Torque	4.21460512	270	No-Load Current (A)	-
Full Load Torque	1.560964859	100	No-Load Power Factor	-

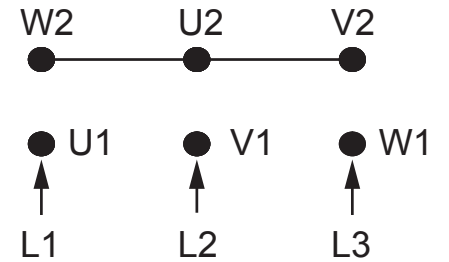
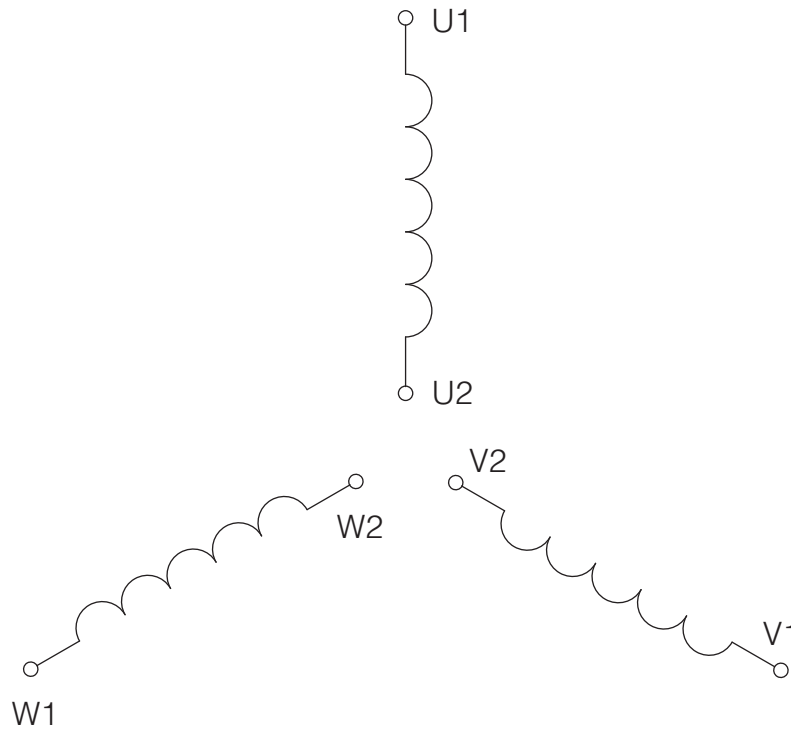
% OF RATED LOAD	25	50	75	100	125	S.F. 1.25
Line Amperes (A)	-	-	-	-	-	-
Efficiency (%)	-	-	-	-	-	-
Speed (r/min)	-	-	-	-	-	-
Power Factor (cosΦ)	-	-	-	-	-	-
Input Power (kW)	-	-	-	-	-	-

**Questions? Call 1.888.286.1820**



Model **MTP71B4F**

MFG PN: TM712-4-F



**SINGLE VOLTAGE**

NOTES:

1. CCW ROTATION FACING ODE FOR CONNECTIONS SHOWN
2. TO REVERSE ROTATION, SWAP ANY TWO INPUT LINES
3. WHEN MOTOR IS IN F1 POSITION, LEADS INDICATED WITH "\*" EXIT THE CASING ABOVE THE CENTER LINE OF THE MOTOR, THE REMAINING LEADS EXIT BELOW THE CENTER LINE
4. LEADS MUST BE NUMBERED AND COLORED AS SHOWN
5. DIAGRAMS FOR REFERENCE ONLY



**IEC 3Ø Y 6-Lead/6-Post Single Voltage**

**DRAWING NUMBER:**

IEC-3-6-Y

**CONNECTION:**

Y

**NUMBER OF LEADS:**

6

**THERMAL PROTECTION:**

Optional

**ISSUED DATE**

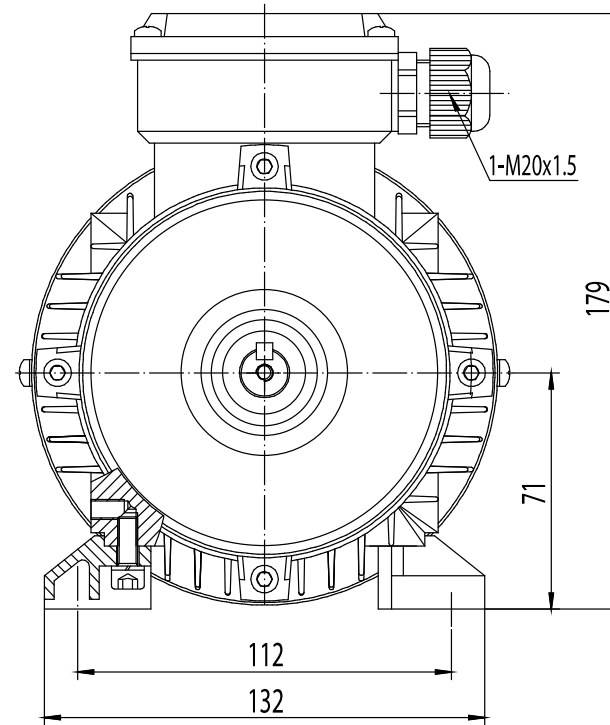
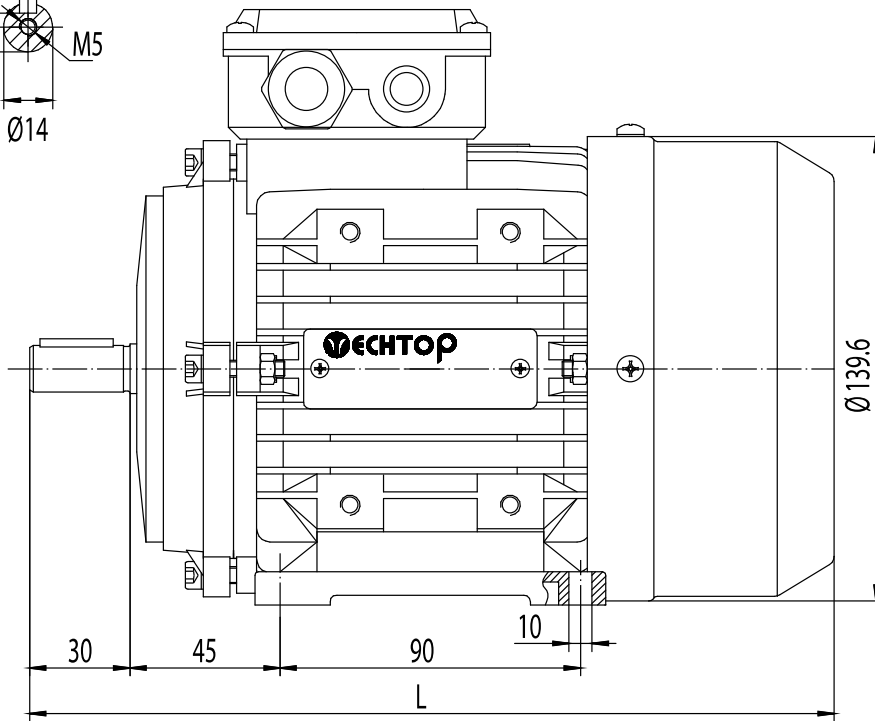
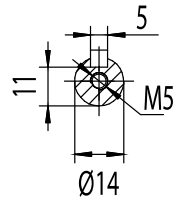
17/24/20

METRIC IE1 ALUMINUM MOTORS



Model MTP71B4F

MFG PN: TM712-4-F



Frame	"L"
71A	241
71B	241
71C	255



IE1 TEFC 71

DRAWING NUMBER:

BL3-AL-TF-71B3

DIMENSIONS:

mm

MOUNTING:

B3

CASING MATERIAL:

Cast Aluminum

ISSUED DATE

17/24/20

METRIC IE1 ALUMINUM MOTORS