

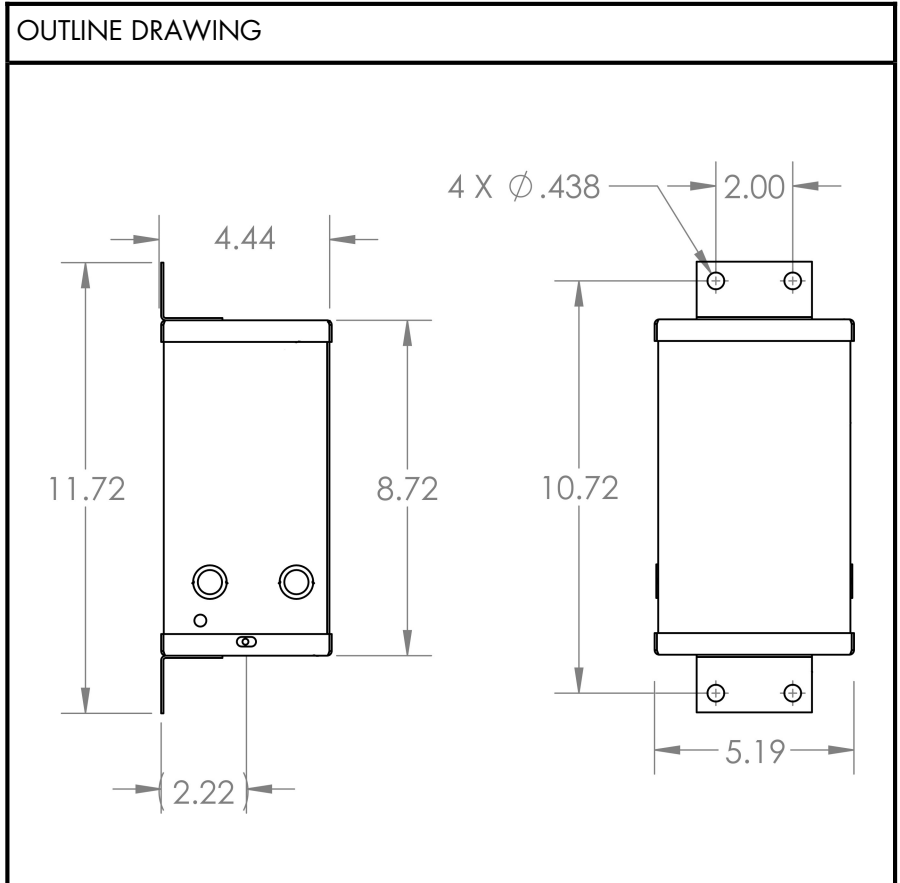


BEAVER ELECTRICAL MACHINERY
 7440 LOWLAND DRIVE, BURNABY, BC, CANADA
 TEL: (604) 431-5000 TF: 1-800-663-6505
 www.beaverelectrical.com - sales@beaverelectrical.com

**EER SERIES
 SPECIFICATION SHEET**

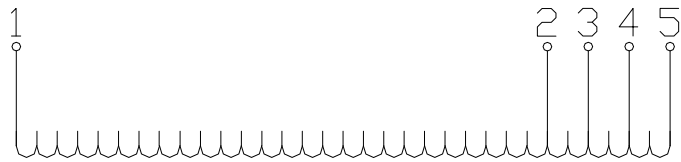
**1 PHASE AUTOTRANSFORMER
 TYPE: ENCAPSULATED
 WALL MOUNTABLE**

CAT. NO.: EER2KH8C
 KVA: 2
 VOLT: 240/230/220/208
 PHASE: 1
 FREQ: 60 HZ
 WEIGHT: 5.8 LBS
 INSUL. CLASS: 180°C
 TEMP. RISE: 115°C
 WDG MAT'L: Copper
 ENCLOSURE: TYPE 3R
 APPROVALS: UL, CUL



WIRING AND CONNECTION DIAGRAM

| VOLT | | LINE CONN |
|------|--|-----------|
| 240 | | 1-5 |
| 230 | | 1-4 |
| 220 | | 1-3 |
| 208 | | 1-2 |



NOTE: Specifications and dimensions subject to change without notice