

PRODUCT INFORMATION PACKET

Model No: 5KC35FN51X
Catalog No: C208
1/3,3450,DP,48,1/60/115/230
Open Drip Proof (ODP)



Regal and Marathon are trademarks of Regal Beloit Corporation or one of its affiliated companies.
©2018 Regal Beloit Corporation, All Rights Reserved. MC017097E



Nameplate Specifications

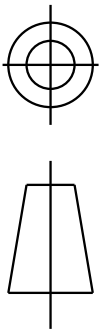
Output HP	1/3 Hp	Output KW	0.25 kW
Frequency	60 Hz	Voltage	115/230 V
Current	6.8,3.4 A	Speed	3450 rpm
Service Factor	1.35	Phase	1
Efficiency	52.5 %	Duty	Continuous
Insulation Class	B	Design Code	-
KVA Code	M	Frame	48
Enclosure	Drip Proof	Overload Protector	AUTO
Ambient Temperature	40 °C	Drive End Bearing Size	6203
Opp Drive End Bearing Size	6203	UL	Recognized
CSA	Yes	CE	N

Technical Specifications

Electrical Type	Capacitor Start Induction Run	Starting Method	SM
Poles	2	Rotation	Counterclockwise/Clockwise
Mounting	Resilient Base	Motor Orientation	ANY
Drive End Bearing	BALL	Opp Drive End Bearing	BALL
Frame Material	Rolled Steel	Overall Length	9.57 in
Frame Length	5.79 in	Shaft Diameter	0.5 in
Shaft Extension	1.5 in		
Outline Drawing	52A101469P2	Connection Diagram	52A105383AA

This is an uncontrolled document once printed or downloaded and is subject to change without notice. Date Created: 10/08/2018

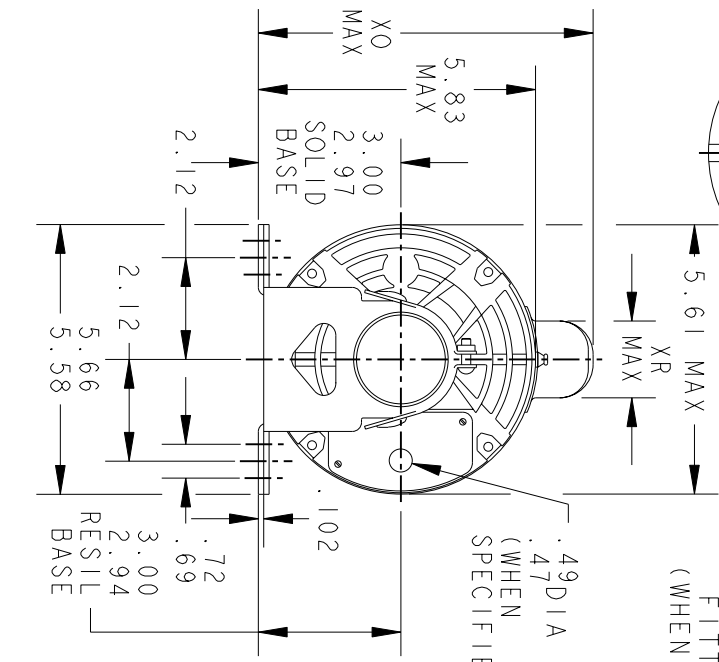
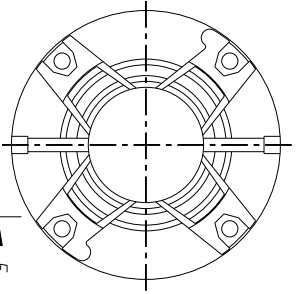
THIRD ANGLE PROJECTION



REVISIONS

REV.	DESCRIPTION	DATE	APPROVED
9	REDRAWN NO CHANGE TI96-22390	07/10/96	MDP
10	CHG TO RBC FORMAT PER IS 05-1777	12/15/05	GOVARDAN

VIEW SHOWING PE VENTILATION OPENINGS



*W IS A CLEARANCE DUE TO VARIATION IN PARTS & ASSEMBLY.

PT	TYPE	GE SIZE	NEMA FR	C	L	XH	XO	XR	XS	N	N-W	K
7	KC	38	48	11.00	5.65	4.02	7.31	1.60	1.75	1.50	1.63/1.41	1.16
6	KC	35	48T	10.32	4.22	2.59	7.93	2.22	1.97	2.25	2.38/2.16	1.91
5	KC	36	48	10.00	4.65	3.02	7.93	2.22	1.22	1.50	1.63/1.41	1.16
4	KC	37	48	10.40	5.05	3.42	7.31	1.60	2.35	1.50	1.63/1.41	1.16
3	KC	36	48	10.00	4.65	3.02	7.31	1.60	2.35	1.50	1.63/1.41	1.16
2	KC	35	48	9.57	4.22	2.59	7.31	1.60	1.97	1.50	1.63/1.41	1.16
1	KC	33	48	9.19	3.84	2.21	7.31	1.60	2.35	1.50	1.63/1.41	1.16

SIGNATURES

MODEL	DATE
GLB	02/18/75
DETAIL	
CHECKED	
ENGRG	
MFG	
QUALITY	
ISSUED	MDP
MDP	07/10/96



REGAL-BELOTT CORPORATION

OUTLINE

FORM N - GENERAL PURPOSE MOTOR - DRIP PROOF - SOLID OR RESIL BASE - BALL OR SLEEVE BEARING

FOR ADDITIONAL INFO REFER TO:

APPLIED PRACTICES	QUALITY
DIMENSIONS ARE IN INCHES	ISSUED
MATERIAL	SOLID MODEL: 52A101469

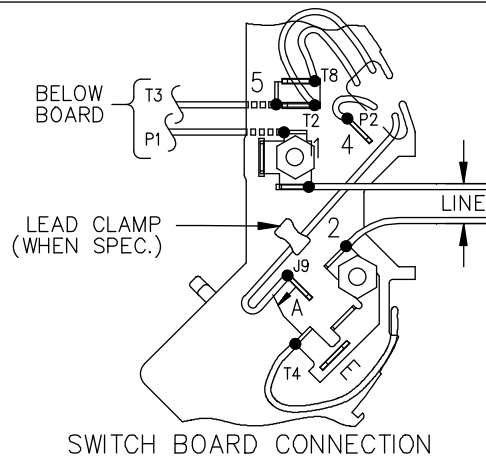
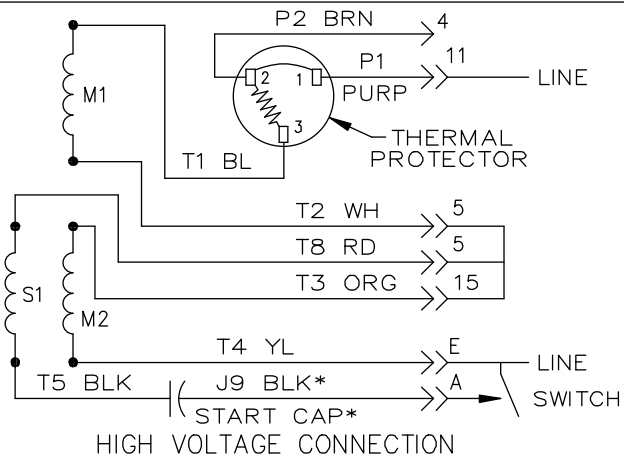
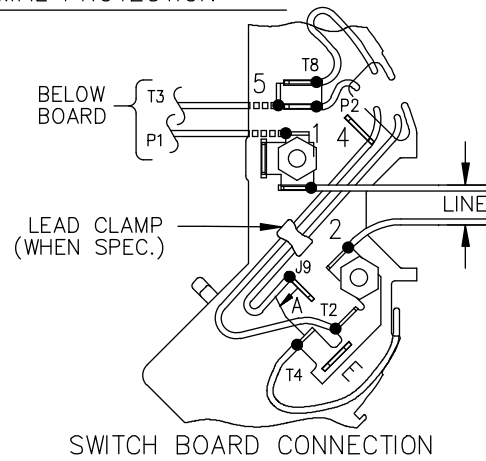
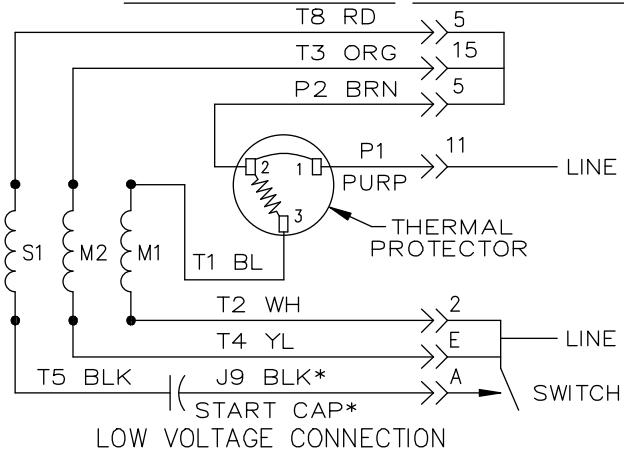
SCALE: 1.000 REF. No. .

SIZE DRAWING A

REV 52A101469 10

SHEET 1 of 1

EITHER ROTATION, DUAL VOLTAGE, TYPE KC OR KH, WITH THERMAL PROTECTION



NOTE #1 - START CAP & J9 WHEN SPECIFIED (*). IF NO CAPACITOR (KH), CONNECT T5 DIRECTLY TO SWITCH (A). WHEN MORE THAN ONE CAPACITOR IS USED, CONNECT IN PARALLEL.

NOTE #2 - TO REVERSE ROTATION, INTER CHANGE RD(T8) AND BLK(J9-KC OR T5-KH) LEADS.

SWITCH REF. - 115D958AB	CONNECTION LABEL	CCW ROTATION: NP52X332051AA
		CW ROTATION: NP52X332051AC

NO.	REVISION	BY & DATE	CHK	TOLERANCES UNLESS SPECIFIED		FINISH	DRAWN M.D.P 06/29/87		
				DEC.	INCHES				
				.X	±0.1	REGAL-BELOIT CORPORATION TITLE CONNECTION DIAGRAM 30 FRAME SWITCH REDESIGN	CHK		
				.XX	±0.02		APPD M.D.P 03/26/96		
5	ADDED CONNECTION LABEL PER ECO-0030779	UD 02/06/13	PKG	.XXX	±0.005	MAT'L.	SCALE 1=1		
4	UPDATED PER ISO7-0150	MD 01/23/07		.XXXX	±0.0005		REF		
				ANG	±1.0	PREV			
THIS DRAWING IN DESIGN AND DETAIL IS OUR PROPERTY AND MUST NOT BE USED EXCEPT IN CONNECTION WITH OUR WORK. ALL RIGHTS OF DESIGN AND INVENTION ARE RESERVED. THIS IS AN ELECTRONICALLY GENERATED DOCUMENT - DO NOT SCALE THIS PRINT				RFP	CAD FILE	52A105383AA	SIZE	DRAWING NO.	REV.
				DIST			A	52A105383AA	5