

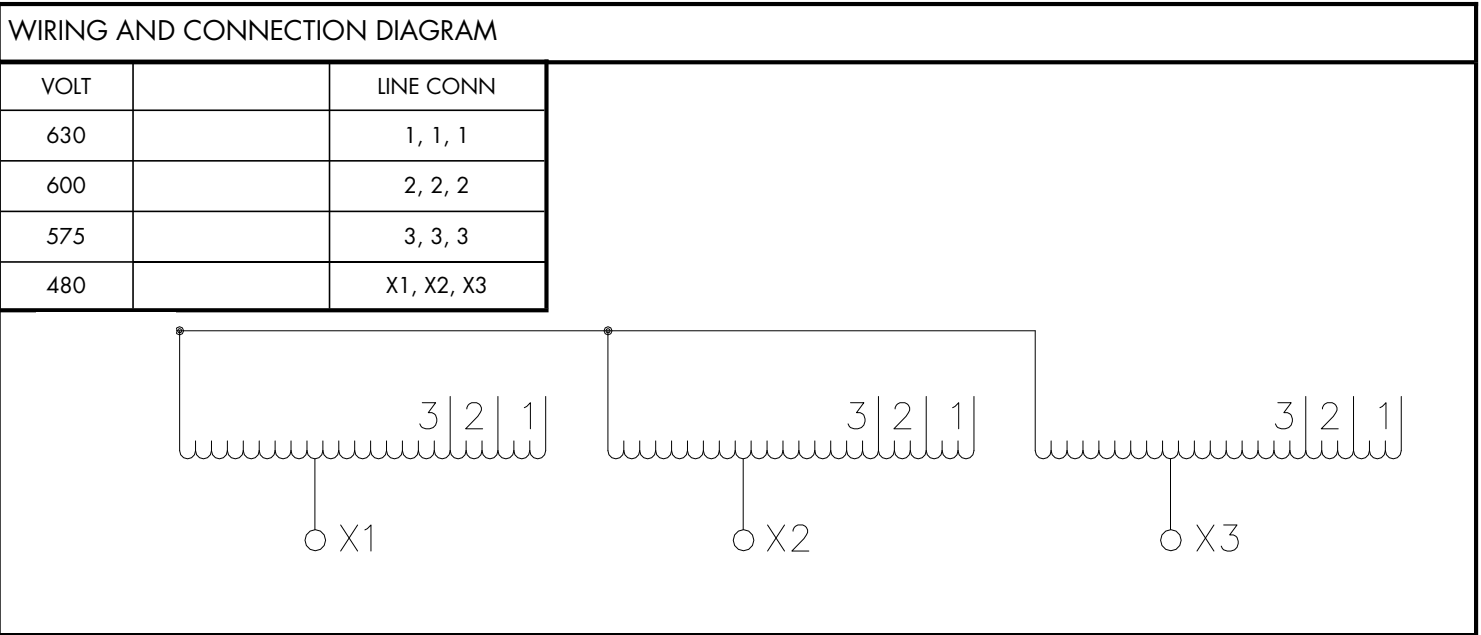
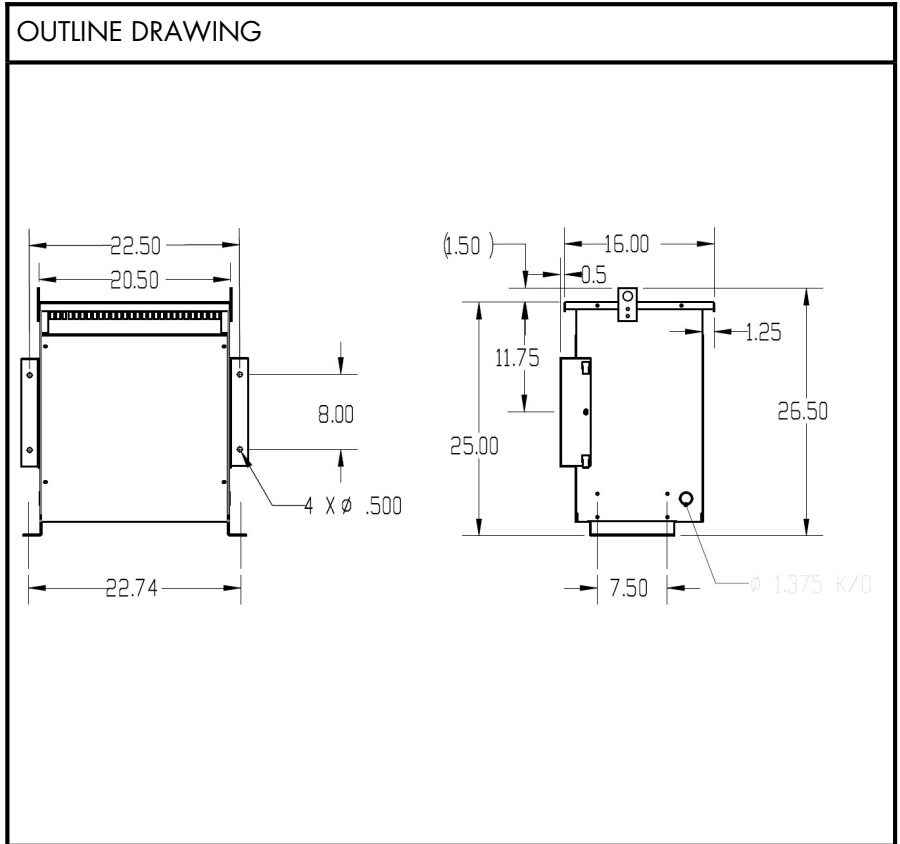


**BEAVER ELECTRICAL MACHINERY**  
 7440 LOWLAND DRIVE, BURNABY, BC, CANADA  
 TEL: (604) 431-5000 FAX: (604) 431-5066  
 www.beaverelectrical.com

**AVR SERIES  
 SPECIFICATION SHEET**

**3 PHASE TRANSFORMER  
 TYPE: DRY TYPE  
 FLOOR OR WALL MOUNT**

CAT. NO.: AVR75TS4C  
 KVA: 75  
 VOLT: 600Y / 480Y  
 PHASE: 3  
 FREQ: 60 HZ  
 WINDING MATL: Copper  
 WEIGHT: 230 LBS  
 INSUL. CLASS: 220°C  
 TEMP. RISE: 150°C  
 IMPEDANCE: 1.0-2.0%  
 TAPS: SEE BELOW  
 BIL: 10 kV  
 ENCLOSURE: TYPE 2  
 TYPE 3R with optional kit  
 APPROVALS: UL, CSA



NOTE: Specifications and dimensions subject to change without notice