

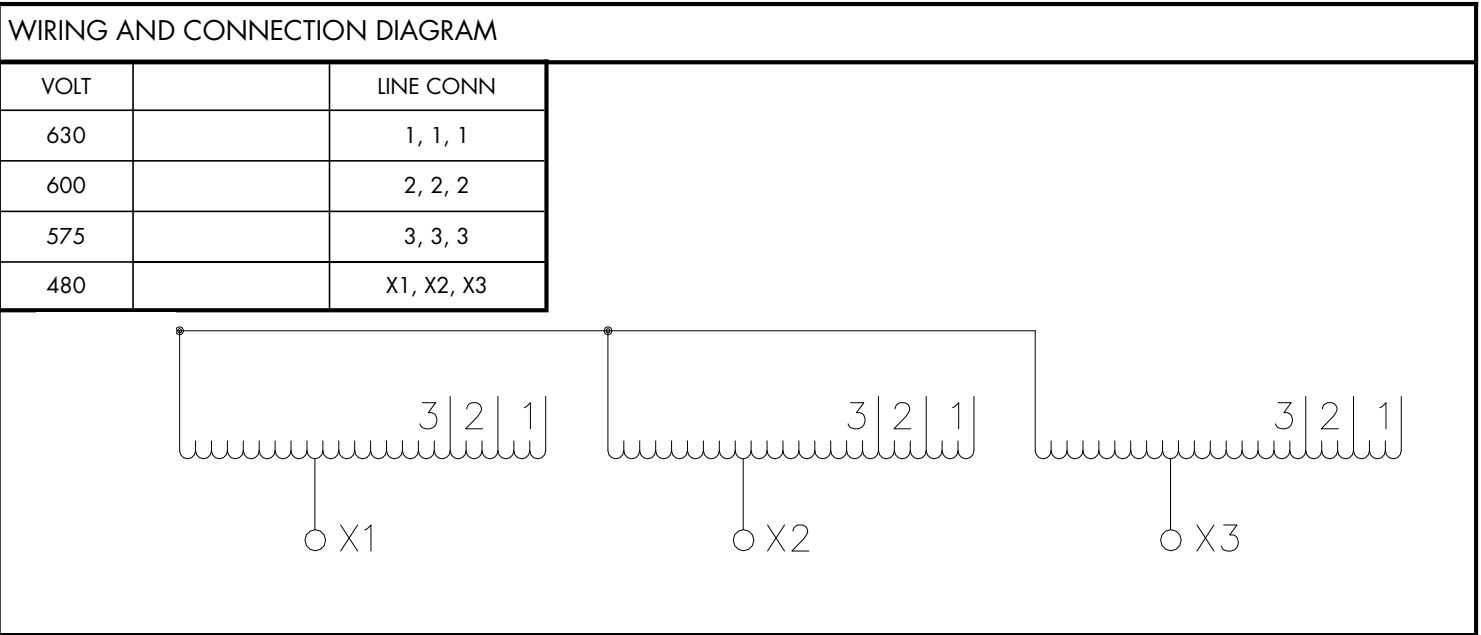
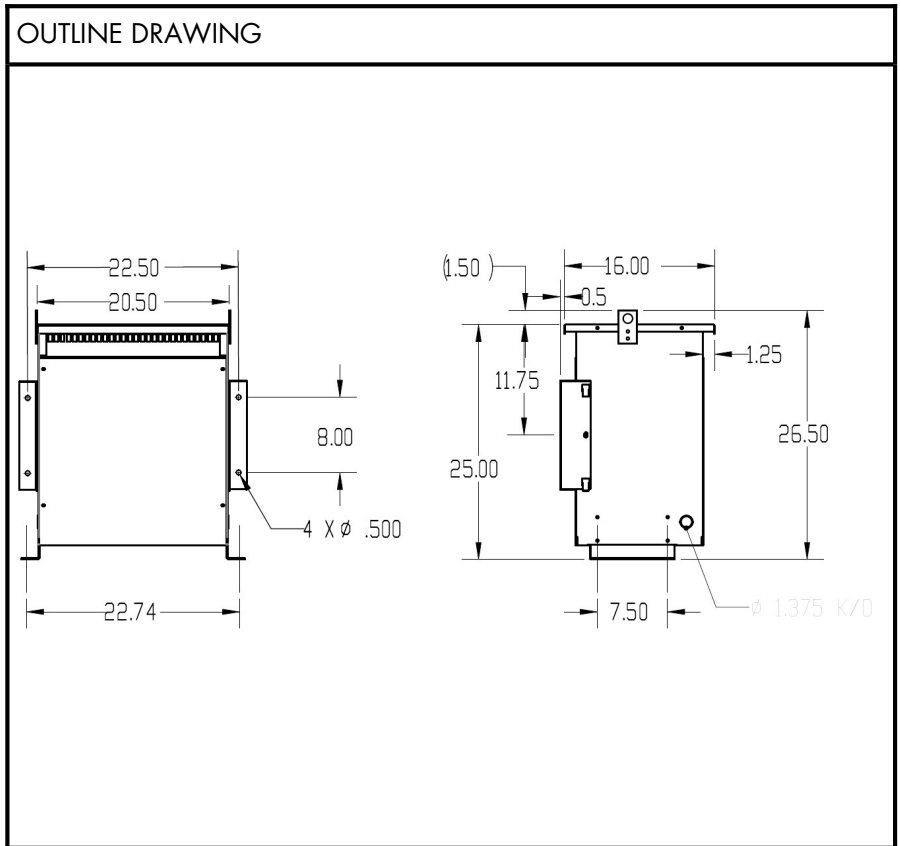


BEAVER ELECTRICAL MACHINERY
 7440 LOWLAND DRIVE, BURNABY, BC, CANADA
 TEL: (604) 431-5000 FAX: (604) 431-5066
 www.beaverelectrical.com

**AVR SERIES
 SPECIFICATION SHEET**

**3 PHASE TRANSFORMER
 TYPE: DRY TYPE
 FLOOR OR WALL MOUNT**

CAT. NO.: AVR75TS4A
 KVA: 75
 VOLT: 600Y / 480Y
 PHASE: 3
 FREQ: 60 HZ
 WINDING MATL: ALUMINUM
 WEIGHT: 216 LBS
 INSUL. CLASS: 220°C
 TEMP. RISE: 150°C
 IMPEDANCE: 1.0-2.0%
 TAPS: SEE BELOW
 BIL: 10 kV
 ENCLOSURE: TYPE 2
 TYPE 3R with optional kit
 APPROVALS: UL, CSA



NOTE: Specifications and dimensions subject to change without notice