



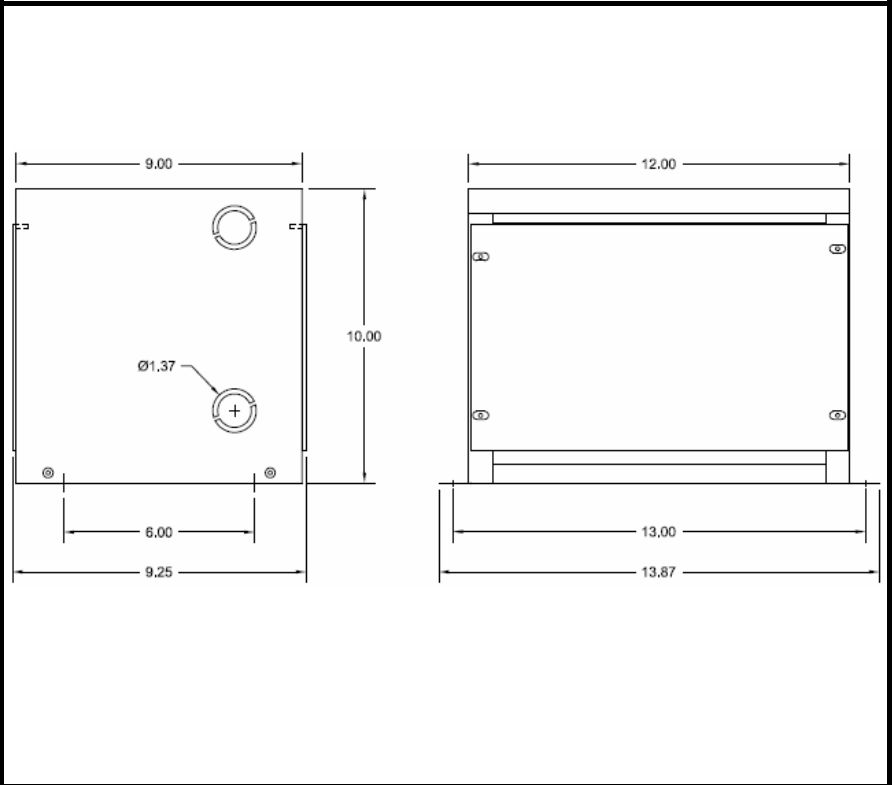
BEAVER ELECTRICAL MACHINERY
 7440 LOWLAND DRIVE, BURNABY, BC, CANADA
 TEL: (604) 431-5000 FAX: (604) 431-5066
 www.beaverelectrical.com

**AVR SERIES
 SPECIFICATION SHEET**

**3 PHASE TRANSFORMER
 TYPE: DRY TYPE
 FLOOR MOUNT**

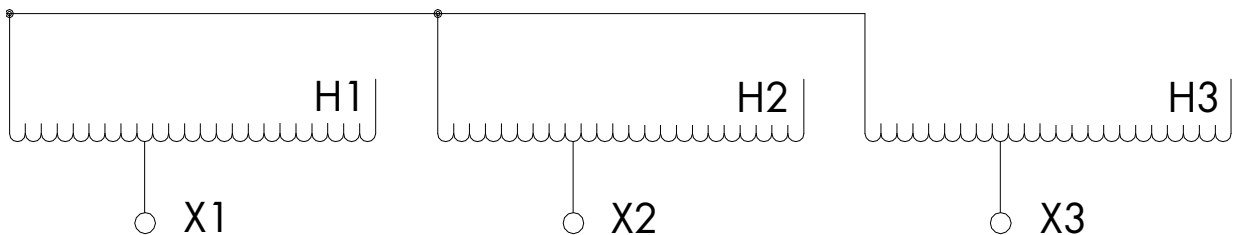
CAT. NO.: AVR6TS4C
 KVA: 6
 VOLT: 600Y / 480Y
 PHASE: 3
 FREQ: 60 HZ
 WINDING MATL: Copper
 WEIGHT: 34 LBS
 INSUL. CLASS: 185°C
 TEMP. RISE: 115°C
 IMPEDANCE: 3.0-4.0%
 TAPS: NO TAPS
 BIL: 10 kV
 ENCLOSURE: TYPE 2
 NEMA 3R with optional kit
 APPROVALS: UL, CSA

OUTLINE DRAWING



WIRING AND CONNECTION DIAGRAM

VOLT	LINE CONN
600	H1, H2, H3
480	X1, X2, X3



NOTE: Specifications and dimensions subject to change without notice