



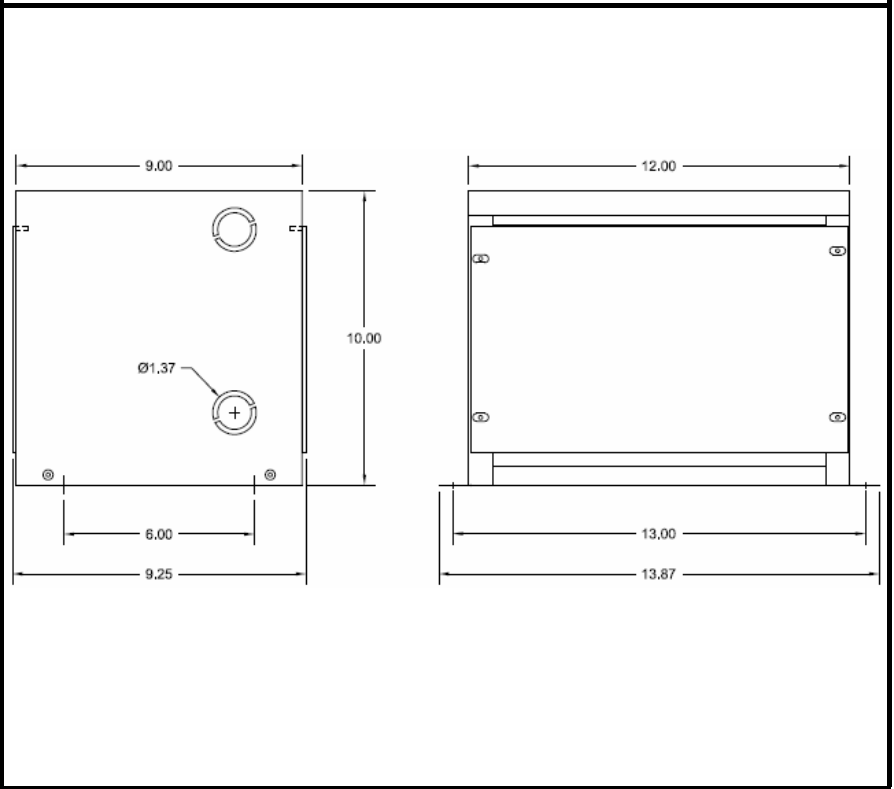
**BEAVER ELECTRICAL MACHINERY**  
 7440 LOWLAND DRIVE, BURNABY, BC, CANADA  
 TEL: (604) 431-5000 FAX: (604) 431-5066  
 www.beaverelectrical.com

**AVR SERIES  
 SPECIFICATION SHEET**

**3 PHASE TRANSFORMER  
 TYPE: DRY TYPE - ANN  
 FLOOR MOUNT**

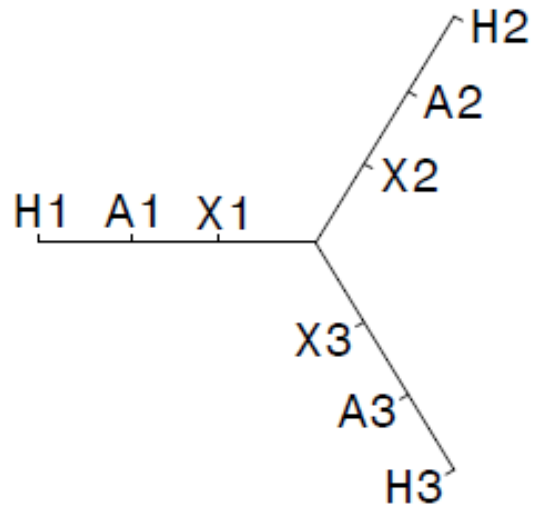
CAT. NO.: AVR6SQP4C  
 KVA: 6  
 VOLT: 480Y/400Y/380Y  
 PHASE: 3  
 FREQ: 60 HZ  
 WINDING MATL: Copper  
 WEIGHT: 36 LBS  
 INSUL. CLASS: 220°C  
 TEMP. RISE: 150°C  
 TAPS: SEE BELOW  
 BIL: 10 kV  
 ENCLOSURE: NEMA 2  
 NEMA 3R with optional kit  
 APPROVALS: UL, CSA

**OUTLINE DRAWING**



**WIRING AND CONNECTION DIAGRAM**

VOLT	LINE CONN
480	H1-H2-H3
400	A1-A2-A3
380	X1-X2-X3



NOTE: Specifications and dimensions subject to change without notice