



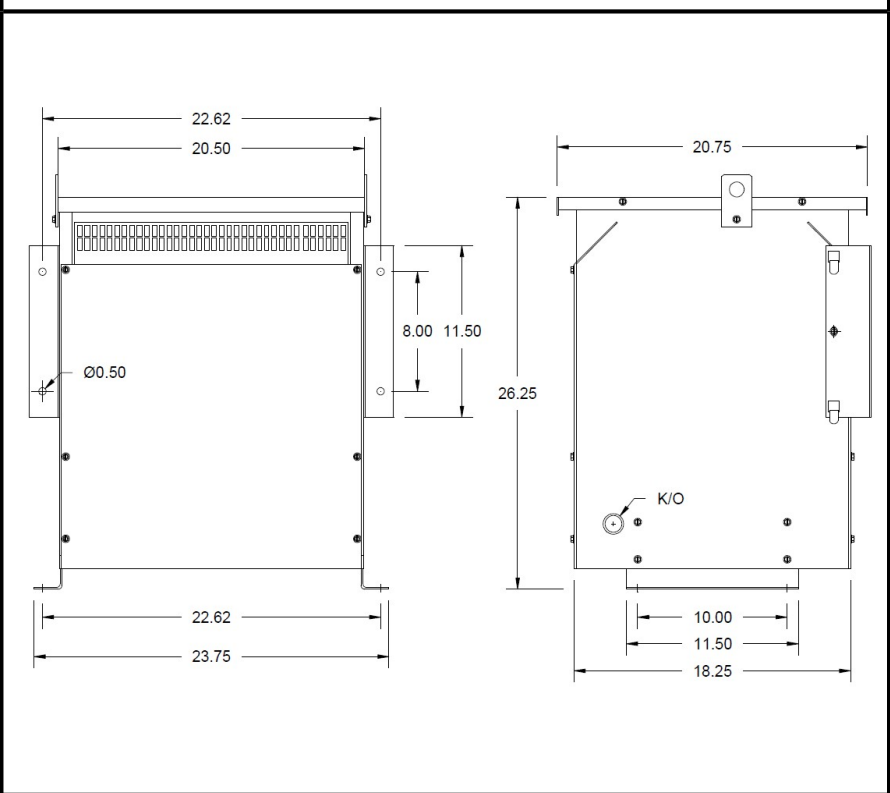
BEAVER ELECTRICAL MACHINERY
 7440 LOWLAND DRIVE, BURNABY, BC, CANADA
 TEL: (604) 431-5000 FAX: (604) 431-5066
 www.beaverelectrical.com

**AVR SERIES
 SPECIFICATION SHEET**

**3 PHASE TRANSFORMER
 TYPE: DRY TYPE
 FLOOR OR WALL MOUNT**

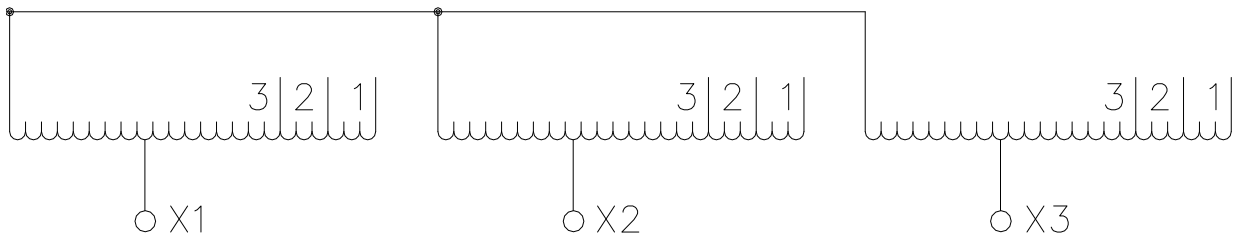
CAT. NO.: AVR45TK24C
 KVA: 45
 VOLT: 600Y / 220Y
 PHASE: 3
 FREQ: 60 HZ
 WINDING MATL: Copper
 WEIGHT: 250 LBS
 INSUL. CLASS: 220°C
 TEMP. RISE: 150°C
 IMPEDANCE: 2.0-3.0%
 TAPS: SEE BELOW
 BIL: 10 kV
 ENCLOSURE: NEMA 2
 NEMA 3R with optional kit
 APPROVALS: UL, CSA

OUTLINE DRAWING



WIRING AND CONNECTION DIAGRAM

VOLT	LINE CONN
630	1, 1, 1
600	2, 2, 2
570	3, 3, 3
220	X1, X2, X3



NOTE: Specifications and dimensions subject to change without notice