



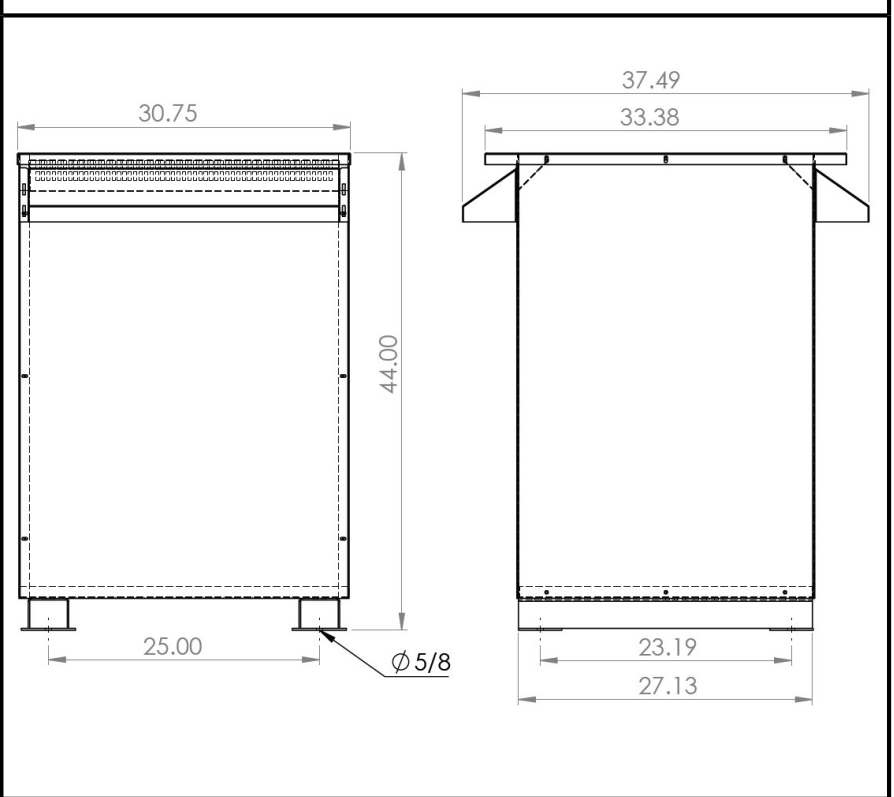
BEAVER ELECTRICAL MACHINERY
 7440 LOWLAND DRIVE, BURNABY, BC, CANADA
 TEL: (604) 431-5000 FAX: (604) 431-5066
 www.beaverelectrical.com

**AVR SERIES
 SPECIFICATION SHEET**

**3 PHASE TRANSFORMER
 TYPE: DRY TYPE
 FLOOR MOUNT**

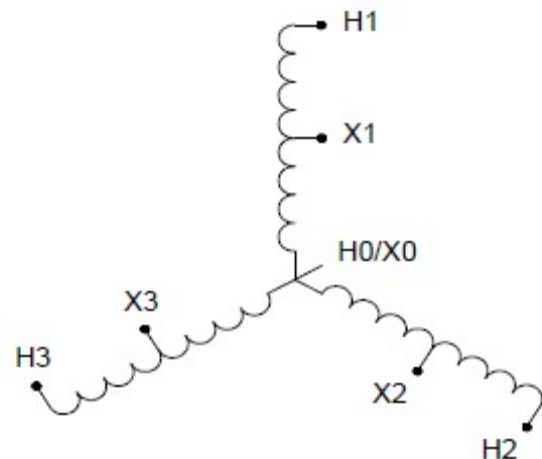
CAT. NO.: AVR450TS4A
 KVA: 450
 VOLT: 600Y/480Y
 PHASE: 3
 FREQ: 60 HZ
 WINDING MATL: Aluminum
 WEIGHT: 760 LBS
 INSUL. CLASS: 220°C
 TEMP. RISE: 150°C
 TAPS: SEE BELOW
 IZ: 1.0-2.0%
 BIL: 10 kV
 ENCLOSURE: Type 3R
 APPROVALS: UL, CSA

OUTLINE DRAWING



WIRING AND CONNECTION DIAGRAM

VOLT	LINE CONN
630	1-1-1
600	2-2-2
575	3-3-3
480	X1, X2, X3



Specifications and dimensions subject to change by Beaver's Engineering Dept.